



sales@hydrorex.com - eli@hydrorex.com
Office: 832 277 1182

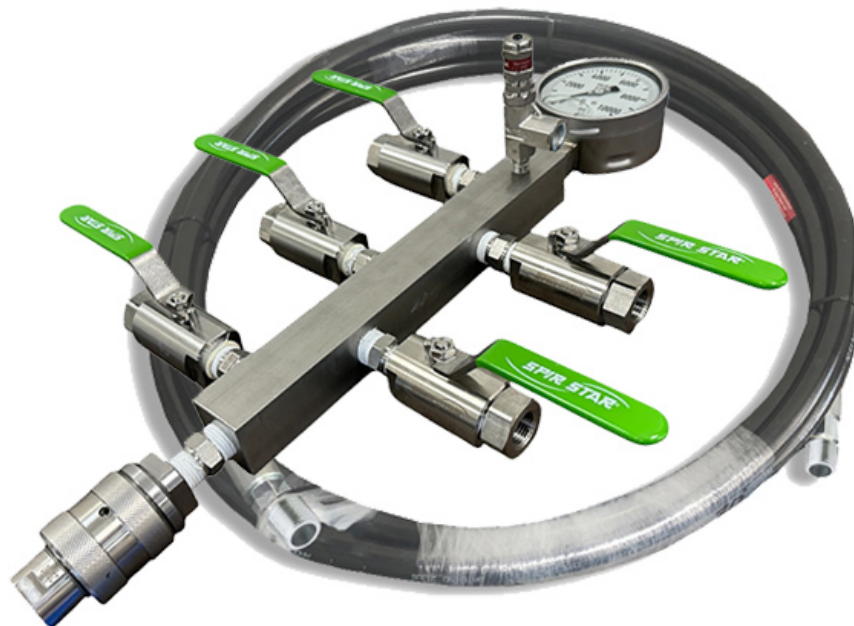
16938 TELGE RD #2 CYPRESS TEXAS 77429 USA

6000 PSI

HYDROSTATIC TEST MANIFOLDS

ALL STAINLES FOR LIQUIDS & GASES

1/2" NPT - 7 PORTS



TESTS

www.hydrorex.com - www.pressureshop.com

TM8 REX SERIES

“The Professional Style” is the most common standard testing equipment.

0-6000 PSI MEDIUM & HIGH PRESSURE: All Stainless steel hydrostatic pressure test manifolds, multiples options are available with pressures ranges up to 6,000 psig. ideal for pressure testing with all fluids and gases. Designed for hydro pressure test on all industries including Oil & Gas.

Hydrostatic pressure test manifolds low medium and high pressure. Typical hydrostatic testing operation using an Hydrorex unit and pressure test manifolds with multiples output ports.

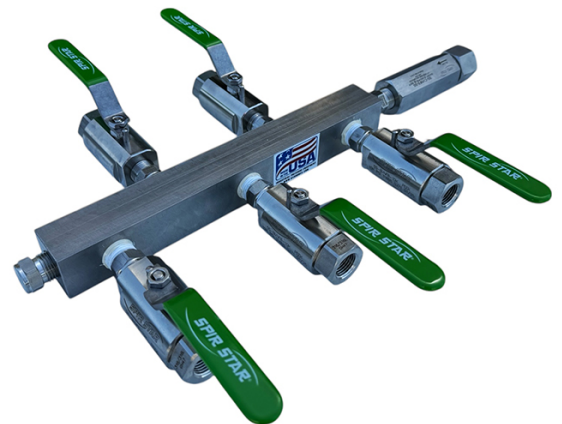
Made in USA with highest quality components for low operational cost.

SOME STANDARDS MODELS NUMBERS

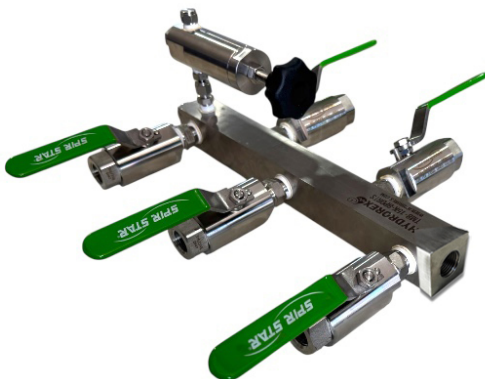
TM8-6K-3V



TM8-6K-5V-C



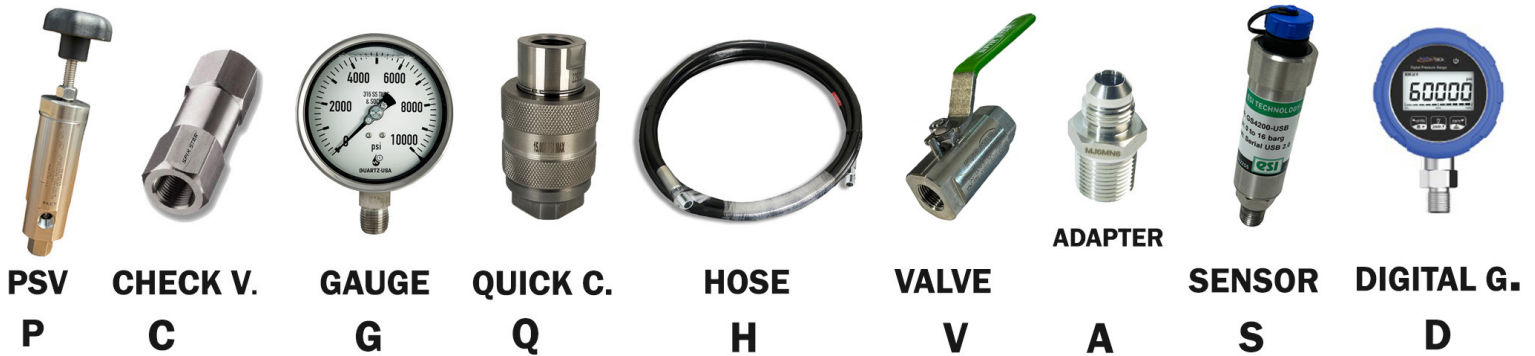
TM8-6K-5V-P



TM8-6K-BLOCK



All components shown below are for pressures ranging up to 6000 psi with 1/2" female NPT options. **Customize your** pressure test manifold to your testing requirements or select from our standard model. **Manifold block 8 Ports Only Available**



How to Order :

TM8-6K-5V-QG

- **TM8** – All 1/2" NPT Test Manifold and all components
- **6K** – Pressure 0-6,000 Psi
- **1,2,3,4,5** – Numbers of valves needs.
- **V** - Ball Valves
- **C** - Pressure check valve
- **Q** – Quick Connector / Disconnecter
- **G** - Pressure gauge
- **D** - Digital gauge
- **H** – Pressure Hose
- **P** – PSV pressure safety/relief valve
- **A** – Adapters JIC (hoses adapters)
- **S** – Sensor (pressure transducer digital recorder)
- **F** – Frame Stand & Support.



F - FRAME STAND



For any questions or concerns regarding your custom manifolds please contact us at eli@hydrorex.com Office: 832 277 1182



Standard Models Available or Customize Yours
Designed for Liquids and Gases

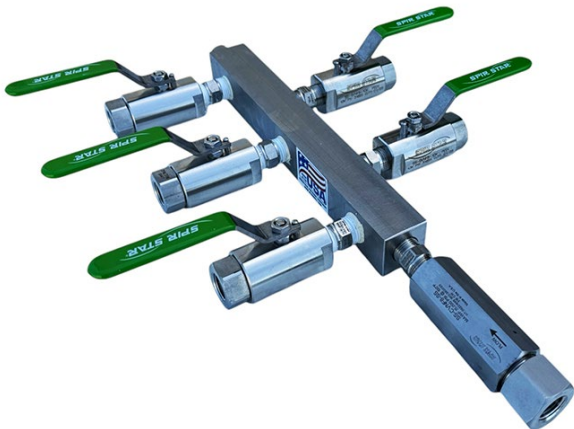
HYDROSTATIC TEST MANIFOLDS



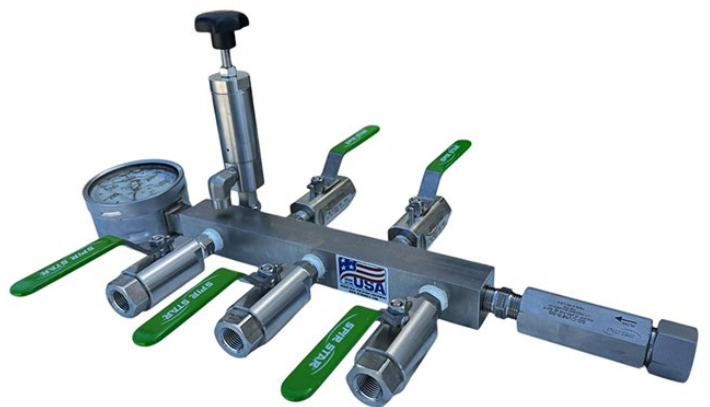
0-6000 PSI - 1/2" NPT

| PART NUMBER TM8-10K | PORTS | VALVES TEST PORTS | INLET CHECK V. QUICK CONN. HOSE ADAPTER | PSV SAFETY VALVE | TEST GAUGE | PRESURE | EXTRA PORTS |
|------------------------|------------|-------------------------|--|------------------------|---------------|------------|---------------------|
| TM8-6K-3V | 7 PORTS | 3 VALVES | OPEN | X | X | 0-6000 PSI | 2 OPEN 2 PLUGGED |
| TM8-6K-3V-Q | 7 PORTS | 3 VALVES | QUICK CONNECTOR | X | X | 0-6000 PSI | 1 OPEN 2 PLUGGED |
| TM8-6K-3V-C | 7 PORTS | 3 VALVES | CHECK VALVE | X | X | 0-6000 PSI | 1 OPEN 2 PLUGGED |
| TM8-6K-5V-C | 7 PORTS | 5 VALVES | CHECK VALVE | X | X | 0-6000 PSI | 1 PLUGGED |
| TM8-6K-5V-CG | 7 PORTS | 5 VALVES | CHECK VALVE | X | 6K GAUGE | 0-6000 PSI | X |
| TM8-6K-4V-CGP | 7 PORTS | 4 VALVES | CHECK VALVE | PSV | 6K GAUGE | 0-6000 PSI | X |

MODEL: TM8-6K-5V-C



MODEL: TM8-6K-4V-CGP



Contact us to customize your own test manifold according to your test requirements at
eli@hydrorex.com Office: 832 277 1182



Hose Type 1 3/2 Hydrostatci Hose 0-10000 Psi

1/2 Female JIC (AN) 1322093 ID13 - Series: A

Applications Hydrostatic

Hydrostatic pressure test hoses pressure range 0-10000 Psi, for use with many fluids and gases.



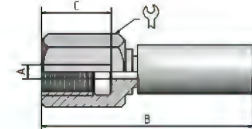
Technical Information Polyamide (PA)
Inner Core: Pressure 2 layers of high-tensile steel wire
Support: Outer Cover: Polyamide (PA)
Color: Temperature: Yellow
-30°C to +60°C [-22°F to 140°F]

| Ø ID | Ø OD | Working Pressure | Burst Pressure | Bend Radius | Weight | Insert ID |
|-----------|-----------|------------------|----------------|-------------|--------------|-----------|
| 12,9 mm | 19,3 mm | -- (SF 2,5:1) | 690 bar | 200 mm | 0,435 kg/m | 8,5 mm |
| 0,51 inch | 0,76 inch | -- | 10.005 psi | 7,87 inch | 0,291 lbs/ft | 0,33 inch |

| Part no. | Thread | Material | Nut | Dimensions (mm) | | | | Insert |
|----------|--------|----------|-----|-----------------|---|---|---|--------|
| | | | | A | B | C | ⌀ | |

Female fitting JIC (swivel nuts)

- H10-10K-8JIC 1/2" AN STAINLESS -
- H20-10K-8JIC
- H50-10K-8JIC
- H50-10K-8JIC
- H100-10K-8JIC



Order with 2 JIC adapters Options



0-10000 Psi pressure hoses male JIC adapters (all stainless steel)

Hose 20ft length with 1/2 Swivel JIC (Part# H20-10K-8JIC)
1/2" Male JIC x 3/8" Male NPT (Part# HNMJ8-NM6)
1/2" Male JIC x 1/2" Male NPT (Part# HNMJ8-NM8)



Or Order with Quick Connectors Options

| Part no. | Thread | Material | Nut | Dimensions (mm) | | | | Insert |
|---------------------|----------|----------|-----|-----------------|----|----|----|--------|
| | | | | A | B | C | ⌀ | |
| Male fitting | | | | | | | | |
| H10-10K-8NPT | 1/2" NPT | | | 8,5 | 90 | 18 | 22 | |
| H20-10K-8NPT | | | | | | | | |
| H50-10K-8NPT | | | | | | | | |
| H75-10K-8NPT | | | | | | | | |
| H100-10K-8NPT | | | | | | | | |

Hose Quick Disconnect



Order with 2 quick disconnect sets
0-15,000 Psi pressure hoses quick disconnects (all stainless steel) coupler and nipple set 1/2" female NPT

Part# H20-10K-8NPT (Hose 1/2" Male NPT)
Part# CQD-08-SET



0-15000 PSI

STAINLESS STEEL PRESSURE BLOCK MANIFOLDS

Model: TM8-15K-Block 1/2 NPT 7 PORTS & 1/4 NPT 1

PORT Model: TM4-15K-Block - 1/4 NPT 8 PORTS

