

MULTI-STATION PRESSURE CONTROL MANIFOLD



ECONOMIC, DURABLE, SAFE & EASY TO OPERATE

- Houston Texas USA
- eli@hydrorex.com
- Office: 832.277.1182



TECHNICAL DATA SHEET

PRODUCT	MULTI-STATIONS TESTING
MEDIA	FLUIDS & GASES
SERIES	SERIE MS-REX
API	CERTIFIED ACCORDING TO API SPECIFICATIONS



Multi Station Pressure Test Manifold Stand for Liquids and Gases: Hydrostatic pressure test manifolds are available for low, medium, and high pressures. Multiples test stations control panel all stainless steel anticorrosive. Our standard model features a 6-bay testing station configuration; however, we can customize yours pressure testing manifold system to meet your specific requirements.MS

Custom and Optional Add-On: Pressure Gauges, Pressure Transducers USB, PSV's, Multiples Stations, and More.

		Output Pressure Ports (QTY:6)		
		Press. Monitoring Ports (QTY:6)		OPTIONAL ADD-ON
MODEL	PRESSURE	PRESS. INLET PORT (QTY:1)	PRESS. RELEASE PORT	GAUGES OR PT's
MS4-60K-REX	0-60000 PSI	1/4" female HP – Treaded 9/16-18 UNF	1/4" Female NPT	0-60000 PSI
MS4-30K-REX	0-30000 PSI	1/4" female HP – Treaded 9/16-18 UNF	1/4" Female NPT	0-30000 PSI
MS6-20K-REX	0-20000 PSI	3/8" female MP – Treaded 9/16-18 UNF	1/4" Female NPT	0-20000 PSI
MS4-15K-REX	0-15000 PSI	1/4" Female NPT	1/4" Female NPT	0-15000 PSI
MS4-10K-REX	0-10000 PSI	1/4" Female NPT	1/4" Female NPT	0-10000 PSI
MS4-6K-REX	0-6000 PSI	1/4" Female NPT	1/4" Female NPT	0-6000 PSI
MS4-3K-REX	0-3000 PSI	1/4" Female NPT	1/4" Female NPT	0-3000 PSI
MS4-1K-REX	0-1000 PSI	1/4" Female NPT	1/4" Female NPT	0-1000 PSI

High Flow Multi-Stations Manifold

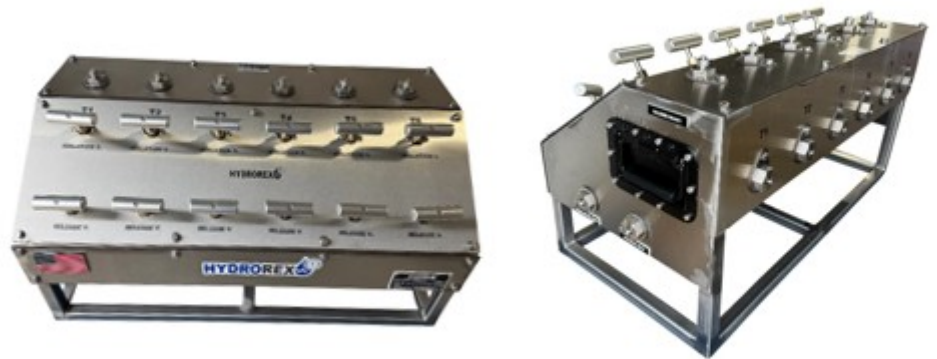
		Output Pressure Ports (QTY:6)		
		Press. Monitoring Ports (QTY:6)		OPTIONAL ADD-ON
MODEL	PRESSURE	PRESS. INLET PORT (QTY:1)	PRESS. RELEASE PORT	GAUGES OR PT's
MS9-60K-REX	0-60000 PSI	9/16" female HP – Treaded 1-1/8-12 UNF	1/4" Female NPT	0-60000 PSI
MS9-30K-REX	0-30000 PSI	9/16" female HP – Treaded 1-1/8-12 UNF	1/4" Female NPT	0-30000 PSI
MS9-20K-REX	0-20000 PSI	9/16" female MP – Treaded 13/16-16 UNF	1/4" Female NPT	0-20000 PSI
MS8-15K-REX	0-15000 PSI	1/2" Female NPT	1/4" Female NPT	0-15000 PSI
MS8-10K-REX	0-10000 PSI	1/2" Female NPT	1/4" Female NPT	0-10000 PSI
MS8-6K-REX	0-6000 PSI	1/2" Female NPT	1/4" Female NPT	0-6000 PSI
MS8-3K-REX	0-3000 PSI	1/2" Female NPT	1/4" Female NPT	0-3000 PSI
MS8-1K-REX	0-1000 PSI	1/2" Female NPT	1/4" Female NPT	0-1000 PSI



Standard Models

INCLUDES:

- Isolation Valves (6)
- Release/Bleed Valves (6)
- Output Pressure Ports (6)
- Inlet Pressure Port (1)
- Pressure Bleed Port (1)
- All Stainless Structure & Components



Some Customized Examples



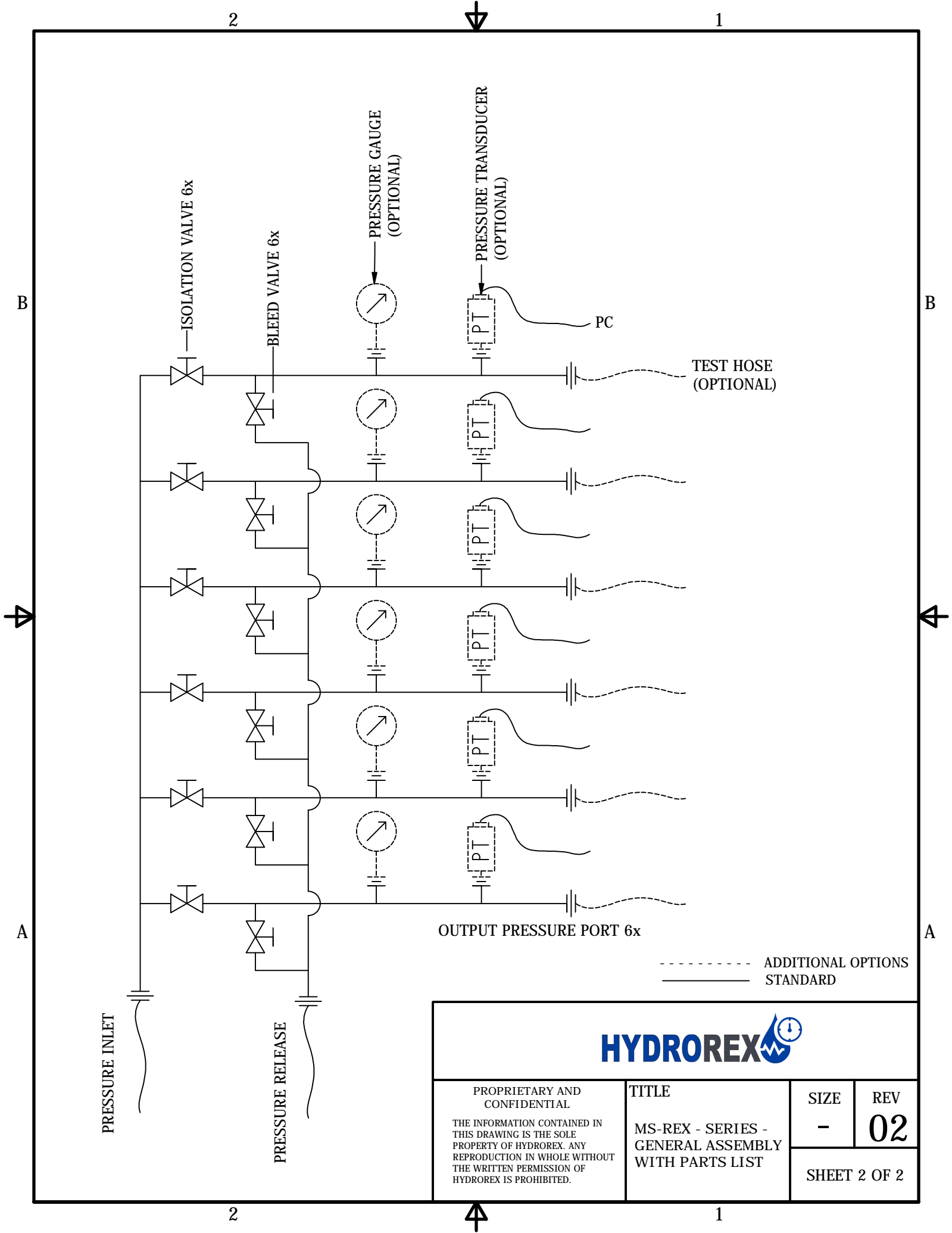
FEATURES/BENEFITS

- Designed for easy maintenance
- **Fluids:** Water, Hydraulic, Oils, Glycol, Methanol and more.
- **Gases:** Nitrogen, Hydrogen, Air, Helium, Oxygen and more.
- All Stainless components
- All Stainless structure
- For all Industries & Applications
- HS Code: 8413.50.0050
- Certificated according to API specifications
- Made in USA

OPTIONS

- Custom multiples test stations
- Pressure gauges 2.5" or 4" Dial
- Digital pressure transducer (USB)
- Multiples PSV pressures (set or adjustable)
- Digital pressure gauges
- Pressure hoses (JIC, NPT, M9 or QD's)
- Cabinet style (Enclosure)
- Manifold Test Cart or wall mount.

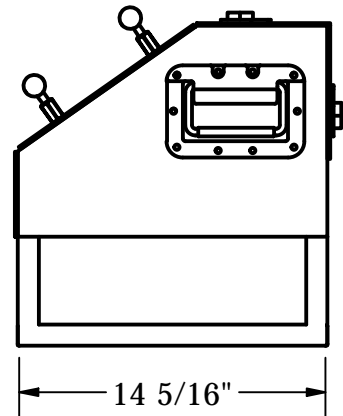
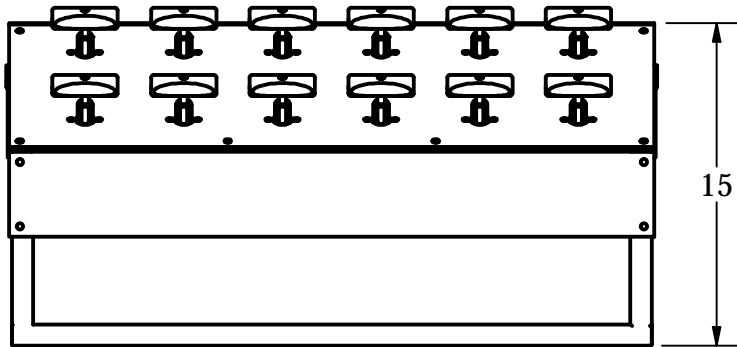
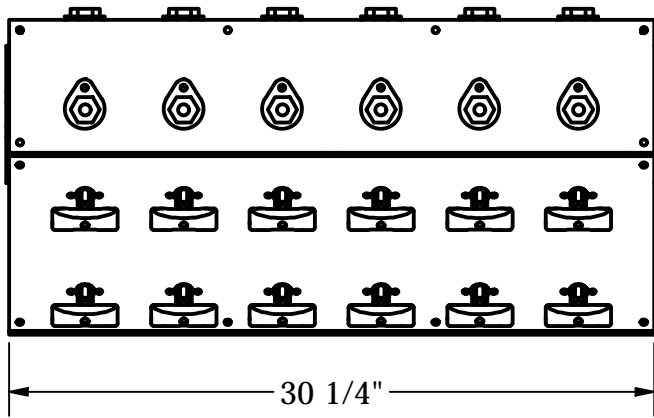
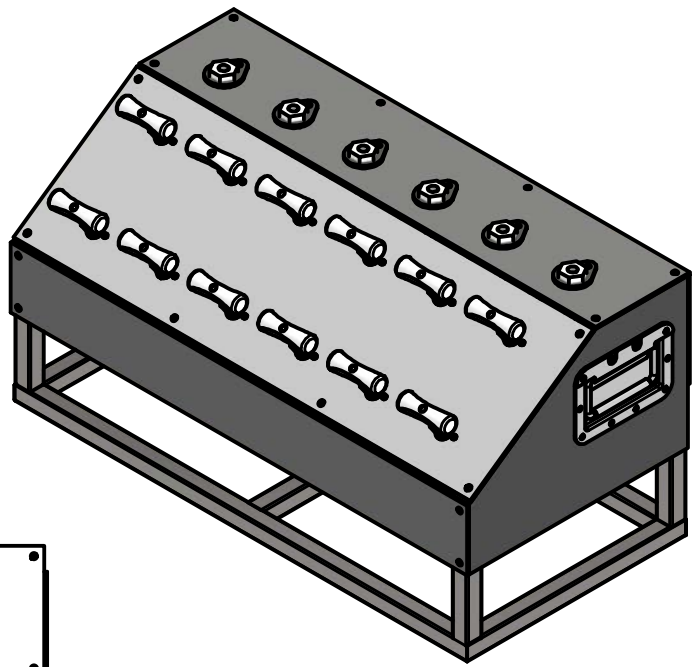




----- ADDITIONAL OPTIONS
 _____ STANDARD



PROPRIETARY AND CONFIDENTIAL THE INFORMATION CONTAINED IN THIS DRAWING IS THE SOLE PROPERTY OF HYDROREX. ANY REPRODUCTION IN WHOLE WITHOUT THE WRITTEN PERMISSION OF HYDROREX IS PROHIBITED.	TITLE MS-REX - SERIES - GENERAL ASSEMBLY WITH PARTS LIST	SIZE -	REV 02
	SHEET 2 OF 2		



MS Standards Dimensions
 30 1/4" x 15" x 14 5/16"
 WEIGHT - 60 LBS

MS High Flow Dimensions
 40" x 20" x 20"
 WEIGHT - 75 LBS



PROPRIETARY AND CONFIDENTIAL THE INFORMATION CONTAINED IN THIS DRAWING IS THE SOLE PROPERTY OF HYDROREX. ANY REPRODUCTION IN WHOLE WITHOUT THE WRITTEN PERMISSION OF HYDROREX IS PROHIBITED.	TITLE MS-REX - SERIES - GENERAL ASSEMBLY WITH DIMENSIONS	SIZE -	REV 02
		SHEET 1 OF 2	