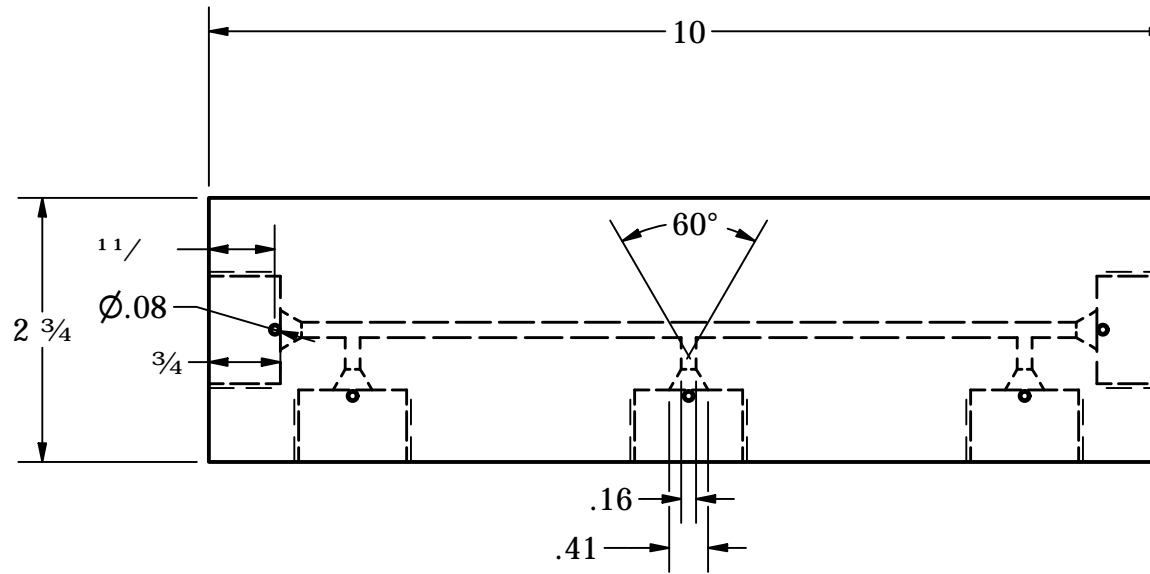
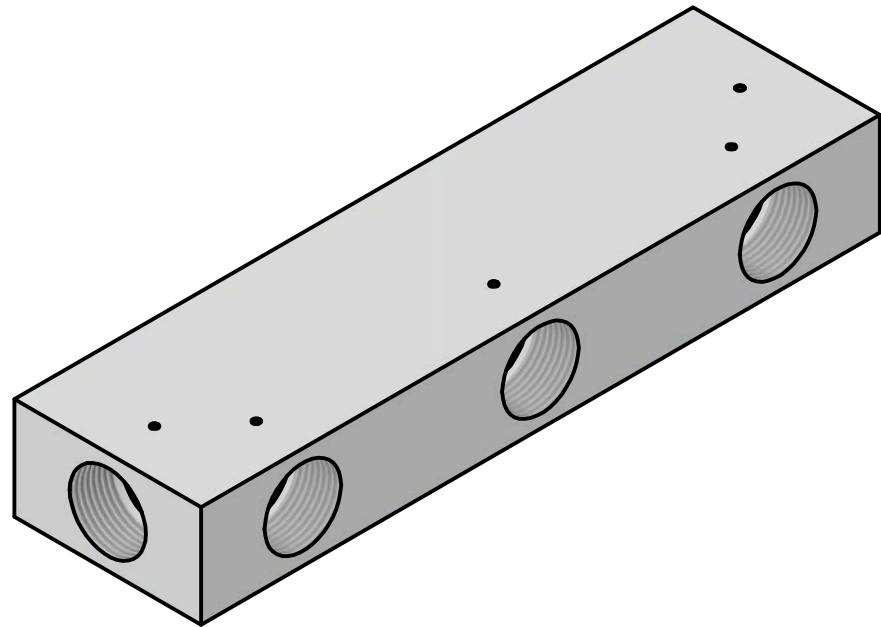
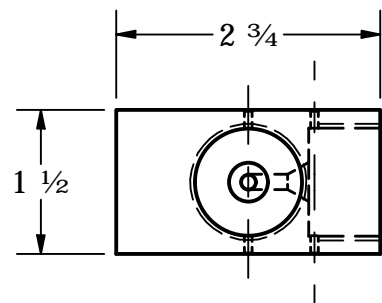


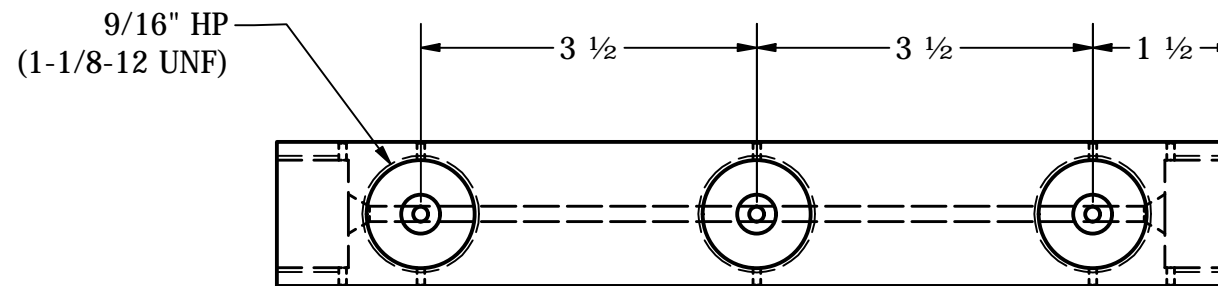
HYDROSTATIC PRESSURE TESTING MANIFOLD BLOCK
 ALL STAINLESS
 9/16" HP PORTS (7)



TOP VIEW




LEFT VIEW



FRONT VIEW

9/16" HP
 NOMINAL THREAD: 1-1/8-12 UNF
 MALE THREAD O.D.: 1.120"
 FEMALE THREAD I.D.: 1.045"

TITLE		TM9-HP		MATERIAL		STAINLESS STEEL 304	
		DRAWN BY		APPROVED BY		SHEET	
		OSCAR GUTIERREZ		ELIAS GUTIERREZ		1	
SCALE		UNITS		SHEET			
1 / 2		IN		1			