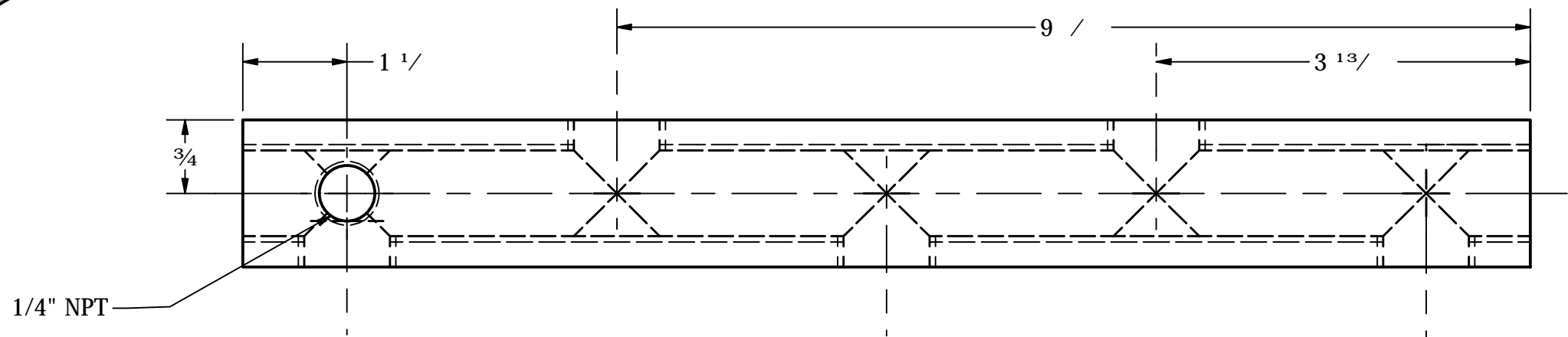
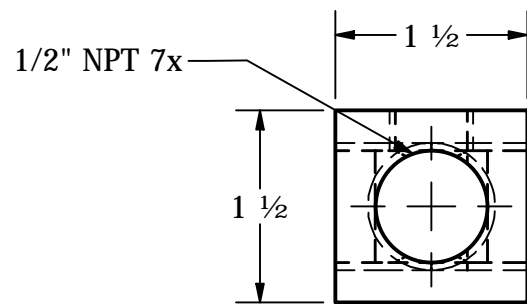


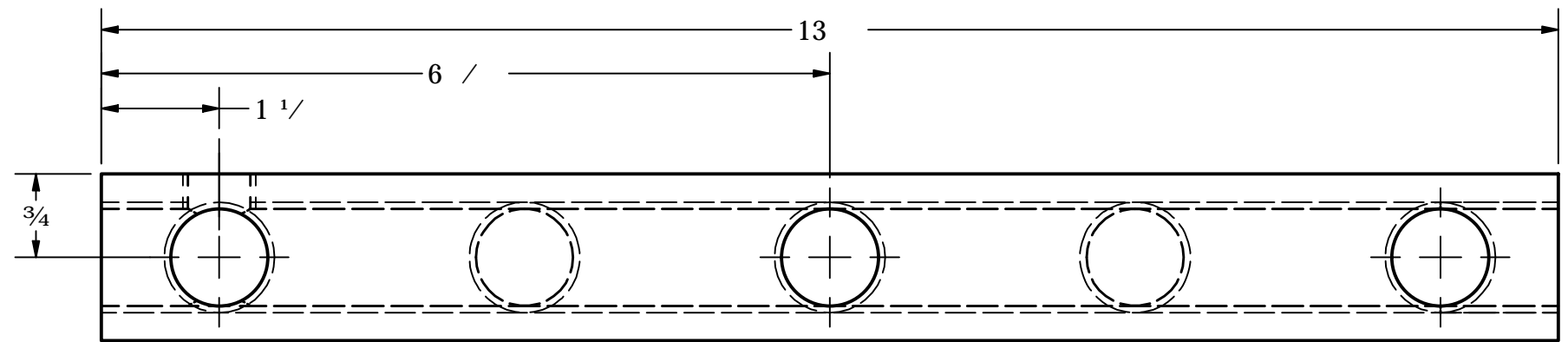
HYDROSTATIC PRESSURE TESTING MANIFOLD BLOCK  
 ALL STAINLESS  
 1/2" FNPT PORTS (7)  
 1/4" FNPT PORTS (1)




TOP VIEW



LEFT VIEW



FRONT VIEW

TITLE		TM8-15K-8PORTS		MATERIAL		STAINLESS STEEL 304	
		DRAWN BY		APPROVED BY		SHEET	
		OSCAR GUTIERREZ		ELIAS GUTIERREZ		1	
SCALE		UNITS		SHEET			
1 / 1.5		IN		1			