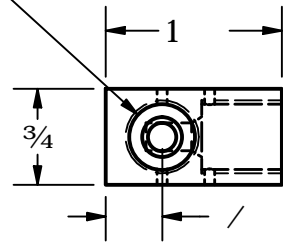
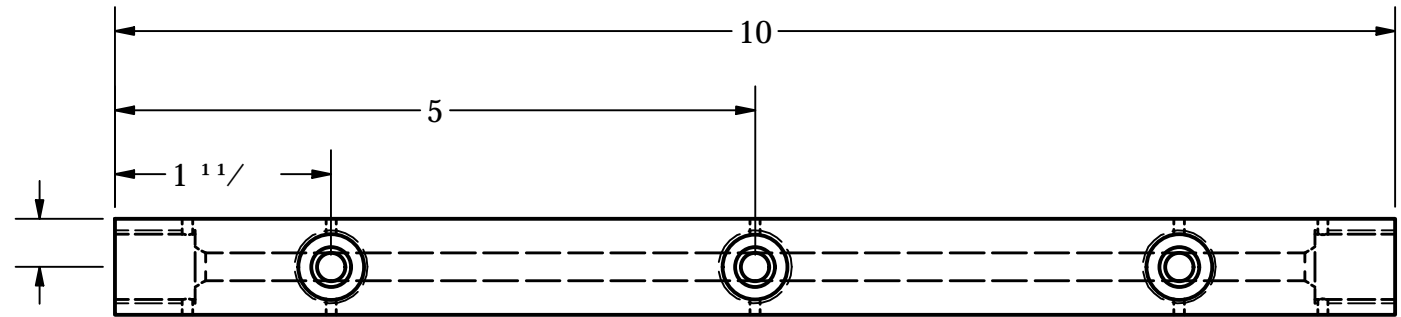


TOP VIEW


3/8" MP
 THREAD: 9/16" x 18 UNF



LEFT VIEW



FRONT VIEW

| | | | | | | | |
|---|--|-----------------|--|-----------------|--|-----------------|--|
| TITLE | | TM6-MP | | MATERIAL | | STAINLESS STEEL | |
|  | | DRAWN BY | | APPROVED BY | | SHEET | |
| | | OSCAR GUTIERREZ | | ELIAS GUTIERREZ | | 1 | |
| SCALE | | UNITS | | SHEET | | | |
| 1 / 1.5 | | IN | | 1 | | | |