

## TECHNICAL DATA SHEET

|         |  |
|---------|--|
| PRODUCT | <b>HYDROSTATIC TEST EQUIPMENT</b>        |
| MODEL   | <b>10-6002 REX</b>                       |
| SERIES  | <b>SERIE 10-REX</b>                      |
| API     | <b>CERTIFICATED ACCORDING TO THE API</b> |



Air operated liquid system, lightweight portable, economic, safety, durable and easy to operate. Made in USA with highest quality components for low operational cost. Available for use on a wide range of fluids including water, oil/ hydraulic and other solubles, requires 80-100 psi air drive pressure to operate. **Designed for Hydrostatic, Burst, Booster, Hydro, Injection, Leak Detector, Pressure Calibration and More.**

10-REX Series are used in most industries including Oil & Gas for: Pressure on Pipes, Valves, Hoses, Vessels, Spools, etc.

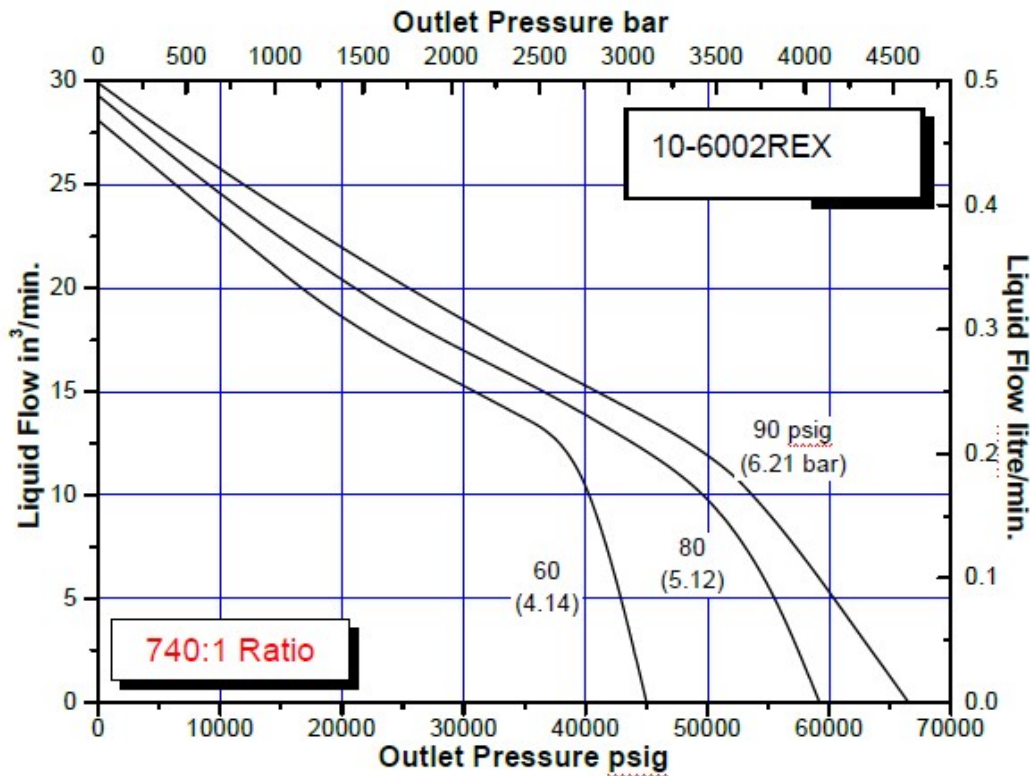
### FEATURES/BENEFITS

- Designed for easy maintenance
- Low cost servicing
- Air operated liquids pump
- All pressure valves, tubing, fittings & hardware are stainless 316
- Pressure Chart Recorder Port (Optional)
- Steel frame, Unit weight: 80 pounds - Dimensions: 22"L X 18"H X 14"
- HS Code: 8413.50.0050
- Certificated according to the API
- 24-56 SCFM

### PERFORMANCE DATA

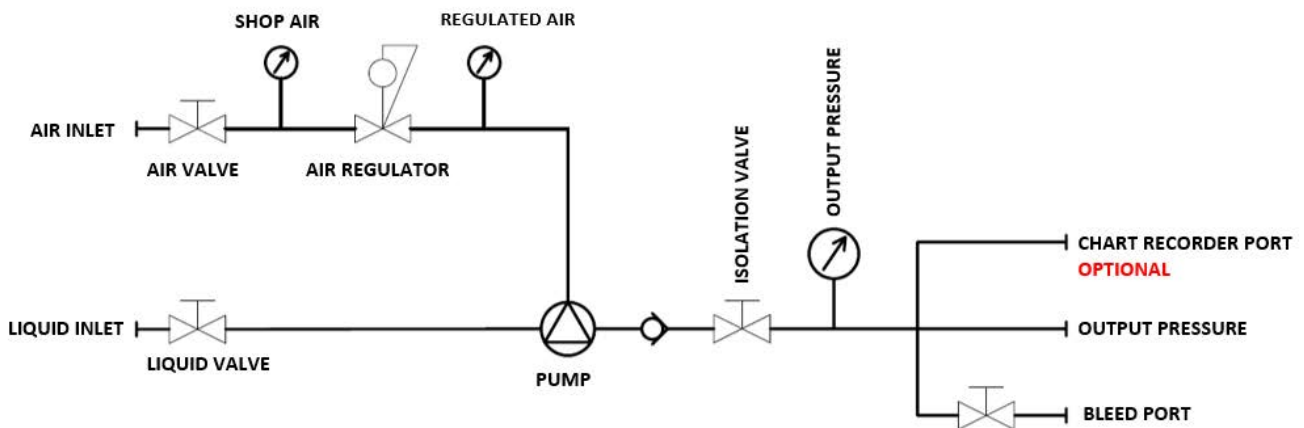
|                      |                          |
|----------------------|--------------------------|
| Output Flow          | 0.13 GPM (0.5 LPM)       |
| Max Output Pressure  | 60,000 psi               |
| Air Supply - Driven  | 100 Psi                  |
| Air Inlet Port       | 1/2" female NPT          |
| Inlet Liquid Port    | 1/2" female NPT          |
| Outlet Pressure Port | 1/4" female FHP          |
| Pump Brand & Ration  | SC-Hydraulic Ratio 740:1 |

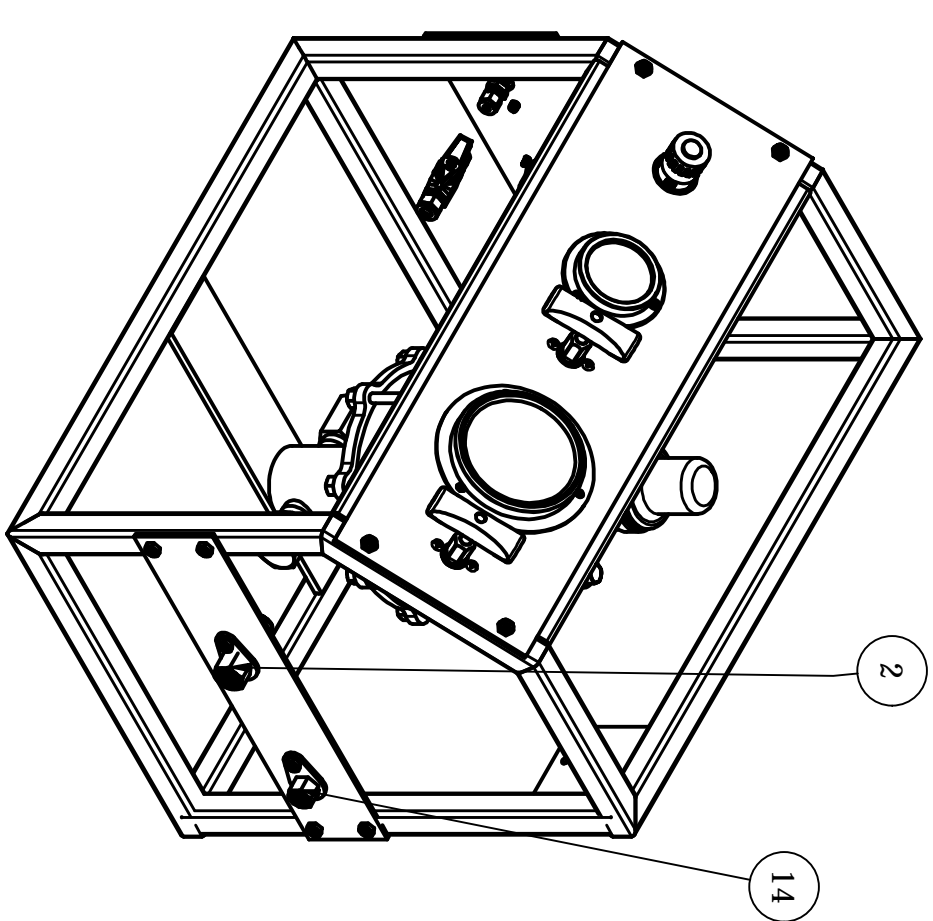
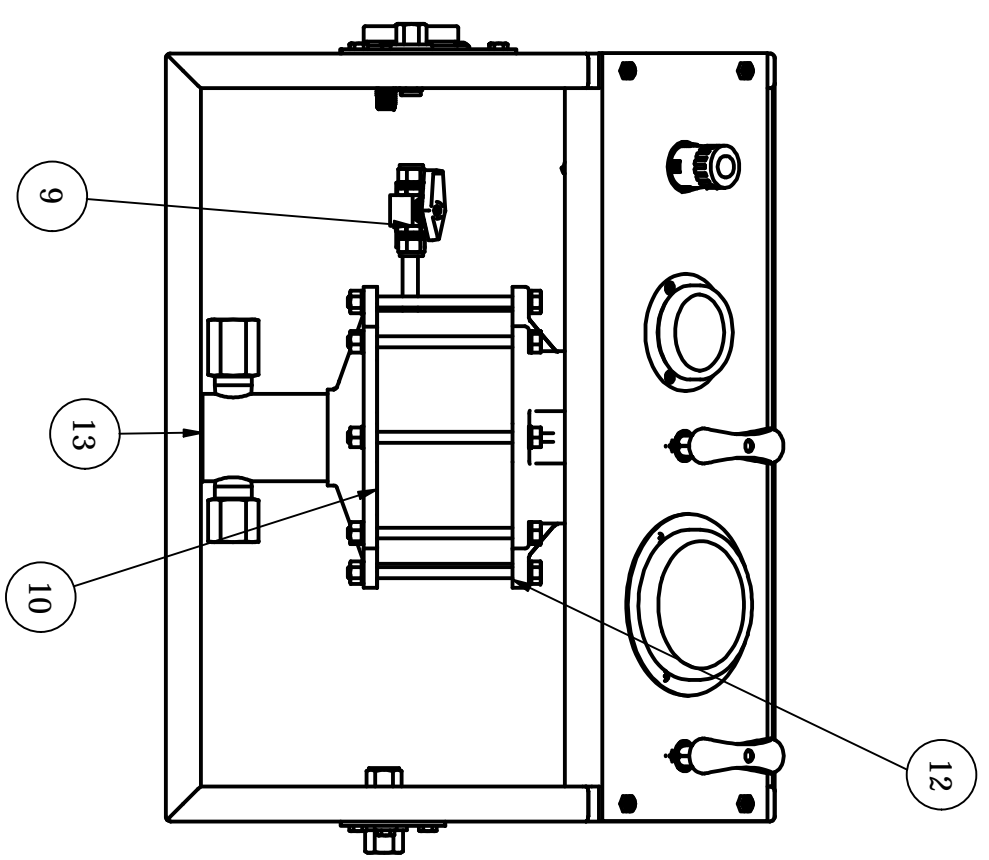
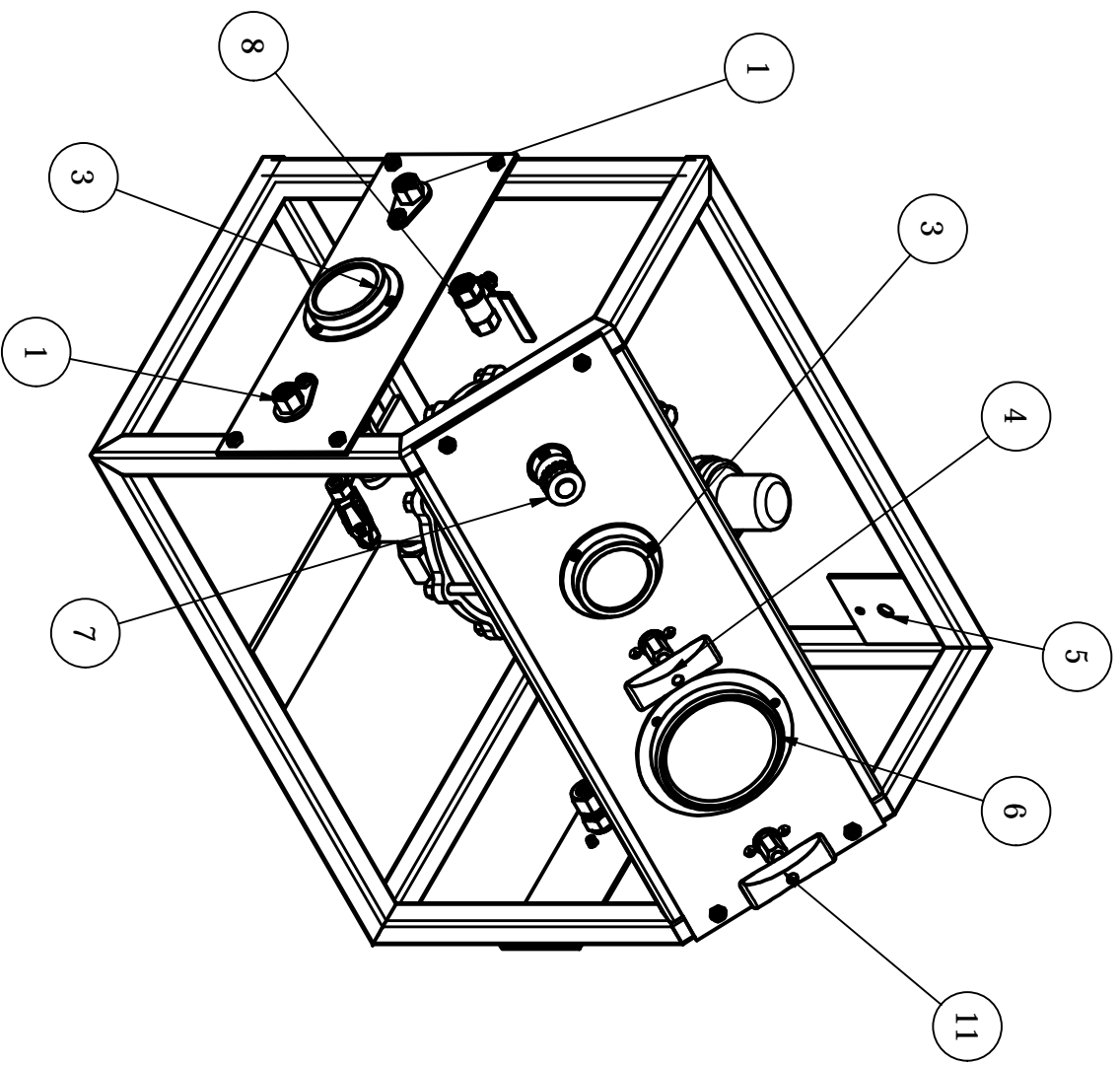
## FLOW CURVE RATIO 740:1



### GENERAL PRODUCT INFORMATION

- When operating from 0 to rated hydraulic pressure, air consumption will be approximately **24-56 scfm** of free air at 100 psi output. At lower air pressures and higher hydraulic pressures air consumption will be reduced proportionately to flow rates indicated.
- The 10REX Series "Dry Lube" pump does not require an air line lubricator.
- Contact Hydrorex for pressure gauges calibration / certificate.
- Maintenance parts for future repairs, all components & accessories can be found on our website [www.hydrorex.com](http://www.hydrorex.com)

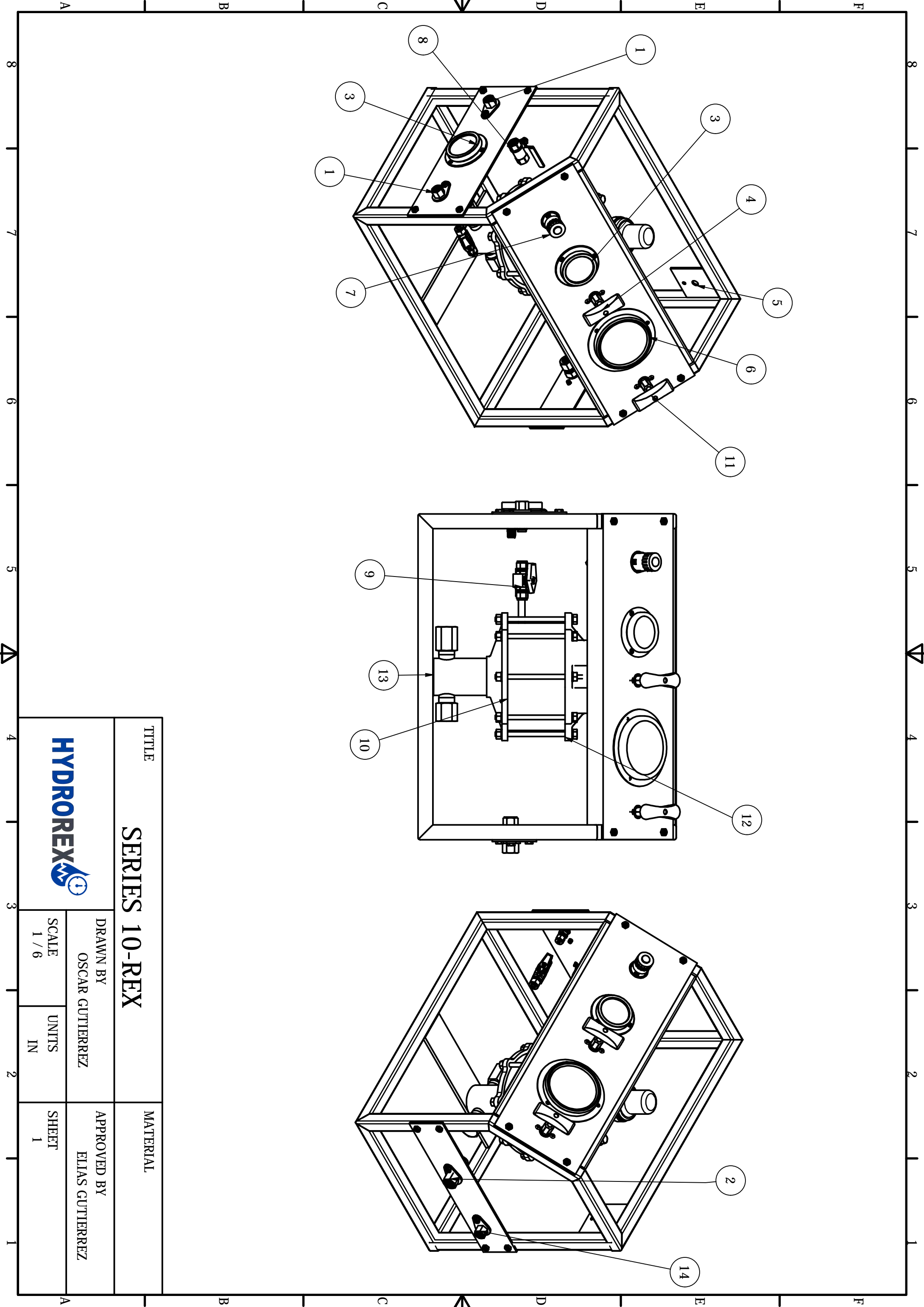




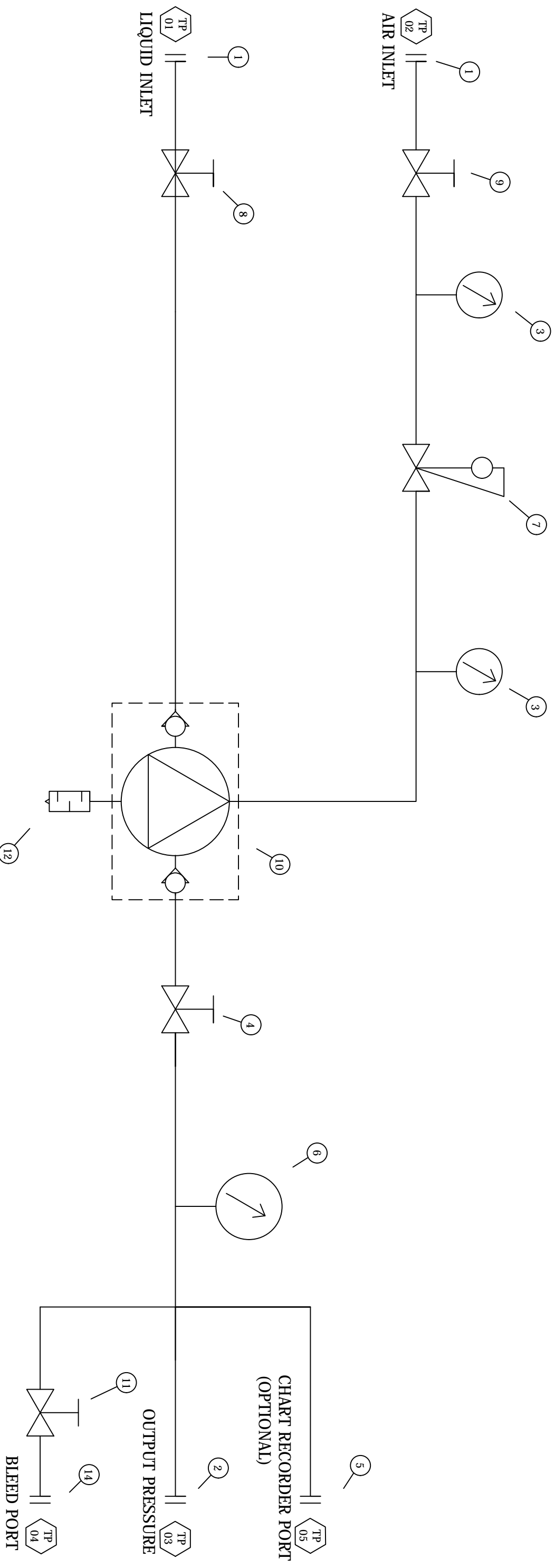
|       |               |  |  |          |
|-------|---------------|--|--|----------|
| TITLE | SERIES 10-REX |  |  | MATERIAL |
|-------|---------------|--|--|----------|

|                 |                 |
|-----------------|-----------------|
| DRAWN BY        | APPROVED BY     |
| OSCAR GUTIERREZ | ELIAS GUTIERREZ |

|       |       |       |
|-------|-------|-------|
| SCALE | UNITS | SHEET |
| 1 / 6 | IN    | 1     |



| PORT SIZES |           | DESCRIPTION           |
|------------|-----------|-----------------------|
| TIP        | SIZE      | DESCRIPTION           |
| 1          | 1/2" FNPT | LIQUID INLET          |
| 2          | 1/2" FNPT | AIR INLET             |
| 3          | 1/4" FNPT | OUTPUT PRESSURE       |
| 4          | 1/4" FNPT | BLEED PORT            |
| 5          | 1/4" FNPT | MONITORING (OPTIONAL) |



TITLE  
**10-REX PID**

MATERIAL

DRAWN BY  
OSCAR GUTIERREZ

APPROVED BY  
ELIAS GUTIERREZ



SCALE  
1 / 7.5

UNITS

SHEET  
1

INSTRUMENTS AND VALVES

| ITEM | QTY | PART NUMBER      | DESCRIPTION                              | 10-15IREX | 10-18IREX | 10-20IREX | 10-25IREX | 10-306IREX | 10-404IREX | 10-454IREX | 10-552IREX | 10-6002IREX |
|------|-----|------------------|--|-----------|-----------|-----------|-----------|------------|------------|------------|------------|-------------|
| 1    | 3   | SS-810-71-8      | 1/2 FNPT X 1/2 TUBING BULKHEADS          | X         | X         | X         | X         | X          | X          | X          | X          | X           |
| 2    | 1   | HC-MF6-BH        | 3/8 FMP (9/16-18 UNF) Autoclave Bulkhead | X         | X         | X         |           |            |            |            |            |             |
| 2    | 1   | HC-HF4-BH        | 1/4 FHP (9/16-18 UNF) Autoclave Bulkhead |           |           |           | X         | X          | X          | X          | X          | X           |
| 3    | 2   | SS-2.5-FLB-160   | AIR PRESSURE GUAGES 160 PSI              | X         | X         | X         | X         | X          | X          | X          | X          | X           |
| 4    | 1   | SS-NVMF6-20K     | 3/8 MP NEEDLE VALVE 20K SPIR STAR        | X         | X         | X         |           |            |            |            |            |             |
| 4    | 1   | SS-NVHF4-60K     | 1/4 HP NEEDLE VALVE 60K SPIR STAR        |           |           |           | X         | X          | X          | X          | X          | X           |
| 5    | 1   | HC-HF4-BH        | 1/4 FHP (9/16-18 UNF) Autoclave Bulkhead | X         | X         | X         | X         | X          | X          | X          | X          | X           |
| 6    | 1   | SS-4-FLB-15K     | PRESSURE GAUGE 0-15000 PSI 1/4 FHP       | X         |           |           |           |            |            |            |            |             |
| 6    | 1   | SS-4-FLB-20K     | PRESSURE GAUGE 0-20000 PSI 1/4 FHP       |           | X         | X         |           |            |            |            |            |             |
| 6    | 1   | SS-4-FLB-25K     | PRESSURE GAUGE 0-25000 PSI 1/4 FHP       |           |           |           | X         |            |            |            |            |             |
| 6    | 1   | SS-4-FLB-30K     | PRESSURE GAUGE 0-30000 PSI 1/4 FHP       |           |           |           |           | X          |            |            |            |             |
| 6    | 1   | SS-4-FLB-40K     | PRESSURE GAUGE 0-40000 PSI 1/4 FHP       |           |           |           |           |            | X          |            |            |             |
| 6    | 1   | SS-4-FLB-60K     | PRESSURE GAUGE 0-600000 PSI 1/4 FHP      |           |           |           |           |            |            | X          | X          | X           |
| 7    | 1   | AFR-8            | AIR PRESSURE REGULATOR W/FILTER 1/2 FNPT | X         | X         | X         | X         | X          | X          | X          | X          | X           |
| 8    | 1   | SSBV050-2        | 1/2 FNPT LIQUID BALL VALVE               | X         | X         | X         | X         | X          | X          | X          | X          | X           |
| 9    | 1   | SBV120H2-S6      | 3/8 TUBING BALL VALVE - AIR INLET        | X         | X         | X         | X         | X          | X          | X          | X          | X           |
| 10   | 1   | 10-6000W080      | SC HYDRAULIC LIQUID PUMP                 | X         |           |           |           |            |            |            |            |             |
| 10   | 1   | 10-6000W100      | SC HYDRAULIC LIQUID PUMP                 |           | X         |           |           |            |            |            |            |             |
| 10   | 1   | 10-6000W151      | SC HYDRAULIC LIQUID PUMP                 |           |           | X         | X         |            |            |            |            |             |
| 10   | 1   | 10-6000S201-HF4  | SC HYDRAULIC LIQUID PUMP                 |           |           |           |           | X          |            |            |            |             |
| 10   | 1   | 10-6000S301-HF4  | SC HYDRAULIC LIQUID PUMP                 |           |           |           |           |            | X          | X          |            |             |
| 10   | 1   | 10-6000S401-HF4  | SC HYDRAULIC LIQUID PUMP                 |           |           |           |           |            |            |            | X          |             |
| 11   | 1   | SS-NVMF4-20K     | 1/4 NEEDLE VALVE 20K - BLEED PRESSURE    | X         | X         | X         |           |            |            |            |            | X           |
| 11   | 1   | SS-NVHF4-60K     | 1/4 NEEDLE VALVE 60K - BLEED PRESSURE    |           |           |           | X         | X          | X          | X          | X          | X           |
| 12   | 1   | AM-16            | 1" PUMP AIR MUFFLER                      | X         | X         | X         | X         | X          | X          | X          | X          | X           |
| 13   | 2   | 3/8-24X3/4 BOLTS | PUMP MOUNTING BOLTS 3/8-24X3/4 W/LOCK W. | X         | X         | X         | X         | X          | X          | X          | X          | X           |
| 14   | 1   | SS-400-71-4      | 1/4 FNPT X TUBING BULKHEAD               | X         | X         | X         | X         | X          | X          | X          | X          | X           |

TITLE  
**10-REX BOM**

MATERIAL

DRAWN BY  
OSCAR GUTIERREZ

APPROVED BY  
ELIAS GUTIERREZ

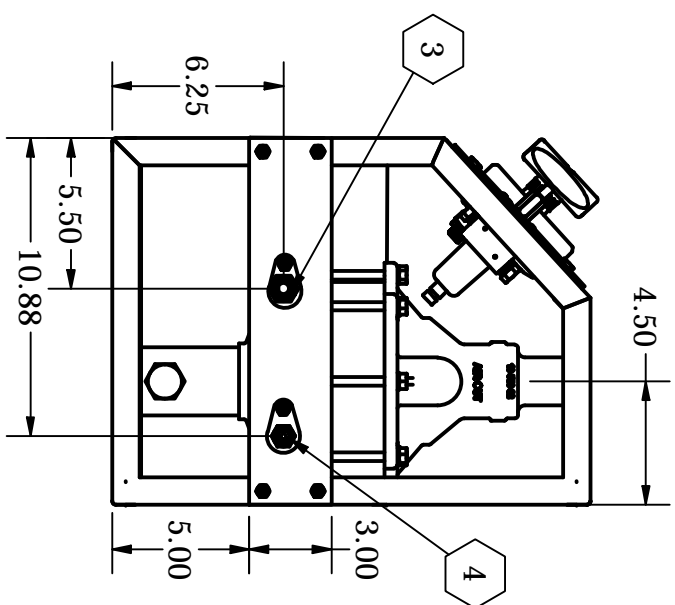
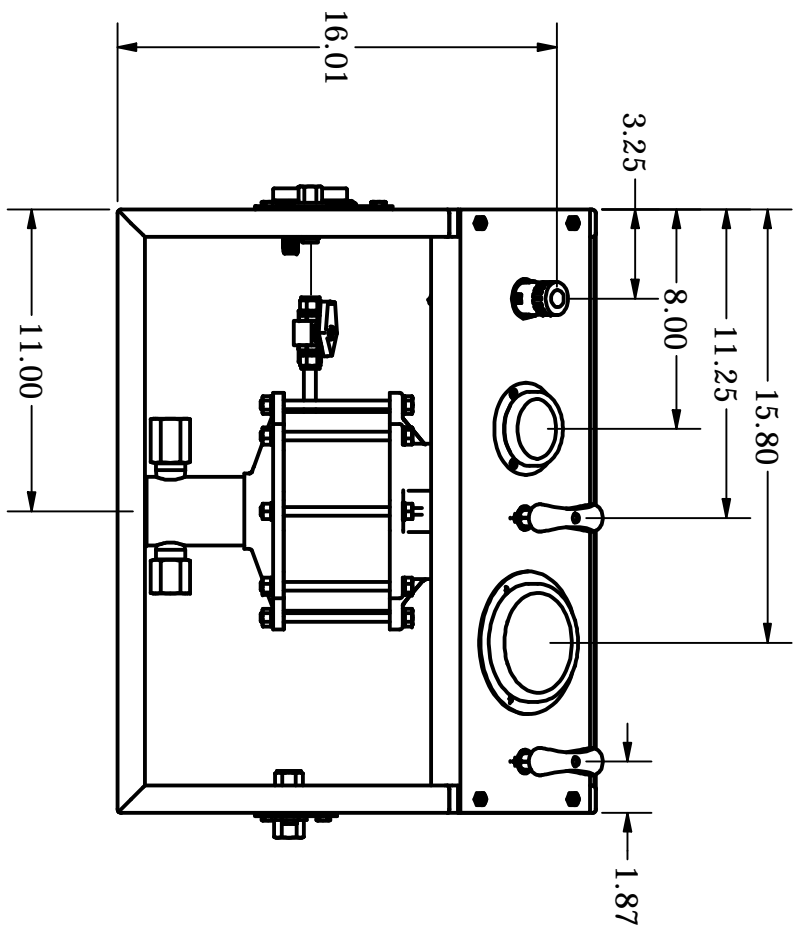
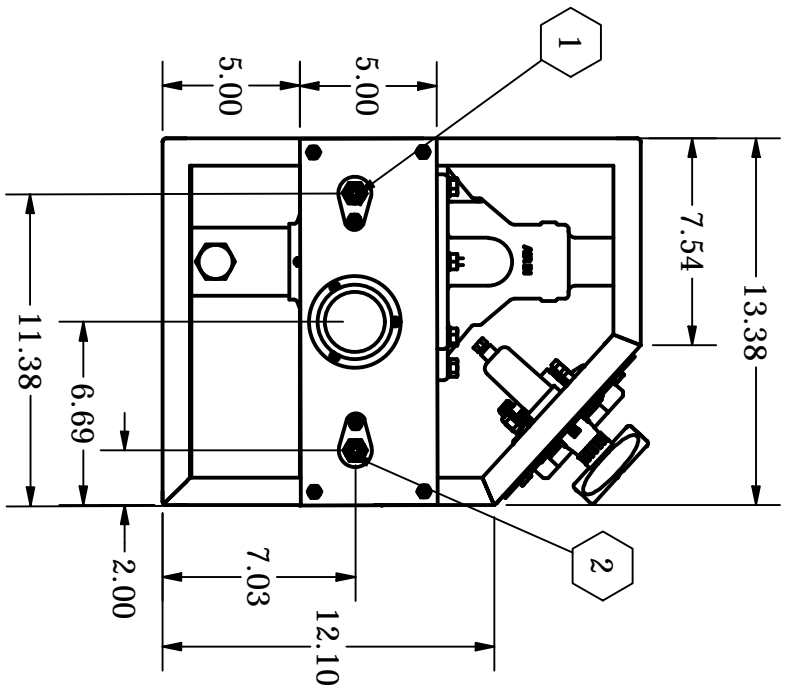
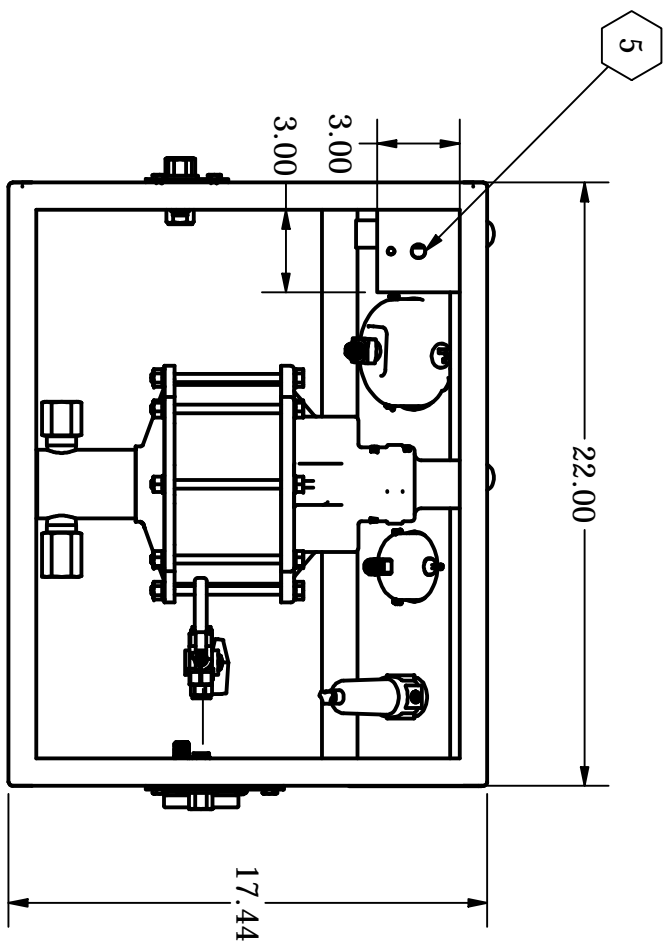
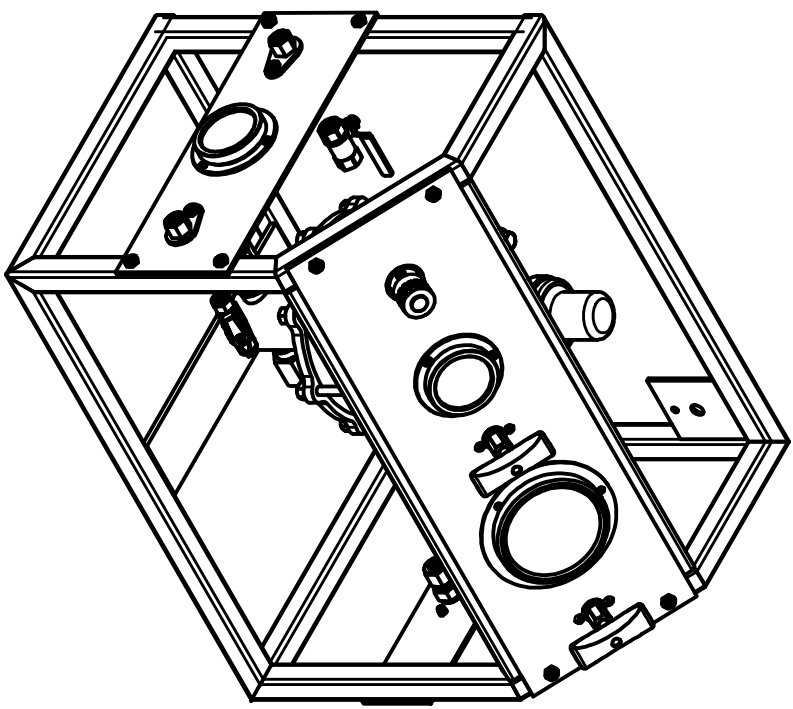


SCALE

UNITS

SHEET  
1

8 7 6 5 4 3 2 1



| PORT SIZES  |                       |
|-------------|-----------------------|
| TIP SIZE    | DESCRIPTION           |
| 1 1/2" FNPT | LIQUID INLET          |
| 2 1/2" FNPT | AIR INLET             |
| 3 1/4" FNPT | OUTPUT PRESSURE       |
| 4 1/4" FNPT | BLEED PORT            |
| 5 1/4" FNPT | MONITORING (OPTIONAL) |

TITLE: **SERIES 10-REX** MATERIAL:

DRAWN BY: OSCAR GUTIERREZ APPROVED BY: ELIAS GUTIERREZ



SCALE: 1/7 UNITS: IN SHEET: 1