

TECHNICAL DATA SHEET

PRODUCT	HYDROSTATIC TEST EQUIPMENT
MODEL	10-181 REX
SERIES	SERIE 10-REX
API	CERTIFICATED ACCORDING TO THE API



Air operated liquid system, lightweight portable, economic, safety, durable and easy to operate. Made in USA with highest quality components for low operational cost. Available for use on a wide range of fluids including water, oil/ hydraulic and other solubles, requires 80-100 psi air drive pressure to operate. **Designed for Hydrostatic, Burst, Booster, Hydro, Injection, Leak Detector, Pressure Calibration and More.**

10-REX Series are used in most industries including Oil & Gas for: Pressure on Pipes, Valves, Hoses, Vessels, Spools, etc.

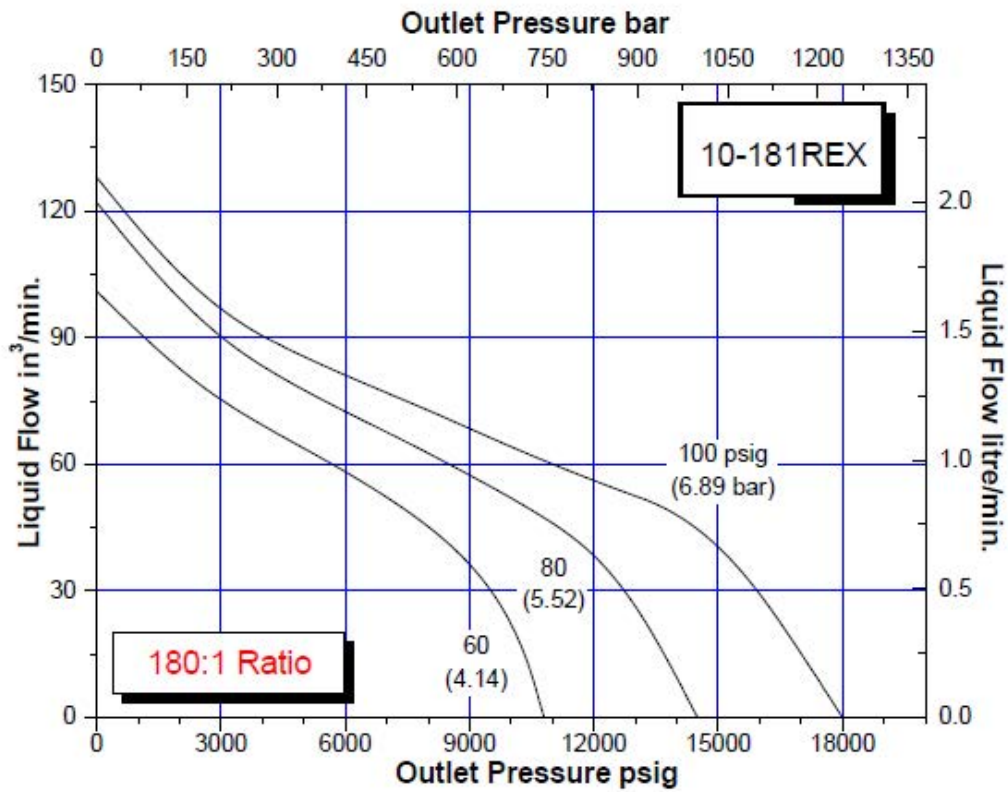
FEATURES/BENEFITS

- Designed for easy maintenance
- Low cost servicing
- Air operated liquids pump
- All pressure valves, tubing, fittings & hardware are stainless 316
- Pressure Chart Recorder Port (Optional)
- Steel frame, Unit weight: 80 pounds - Dimensions: 22"L X 18"H X 14"
- HS Code: 8413.50.0050
- Certificated according to the API
- 24-56 SCFM

PERFORMANCE DATA

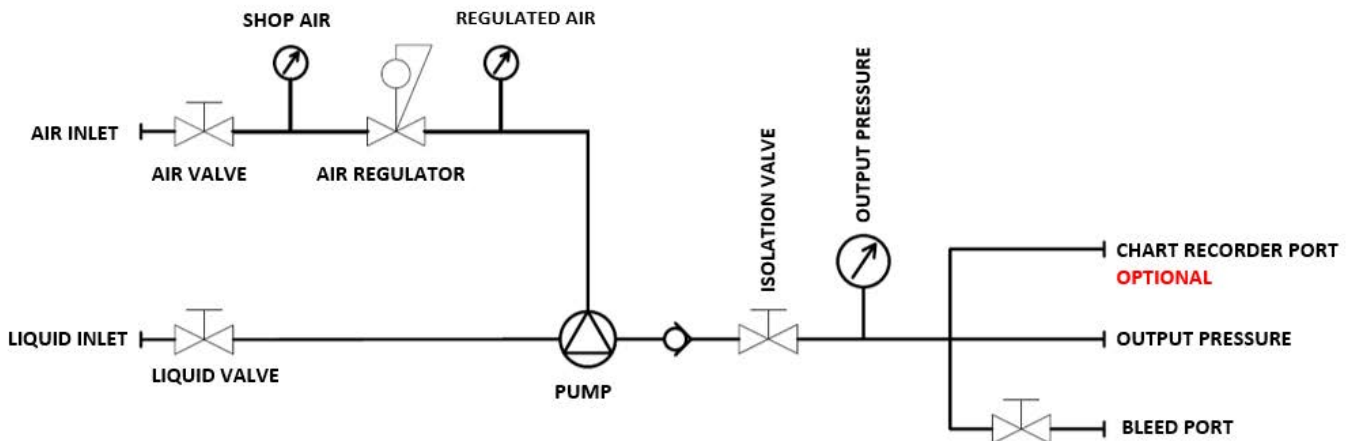
Output Flow	0.52 GPM (2.0 LPM)
Max Output Pressure	18000 psi (1241 bar)
Air Supply - Driven	100 Psi
Air Inlet Port	1/2" female NPT
Inlet Liquid Port	1/2" female NPT
Outlet Pressure Port	3/8" female MP
Pump Brand & Ration	SC-Hydraulic Ratio 180:1

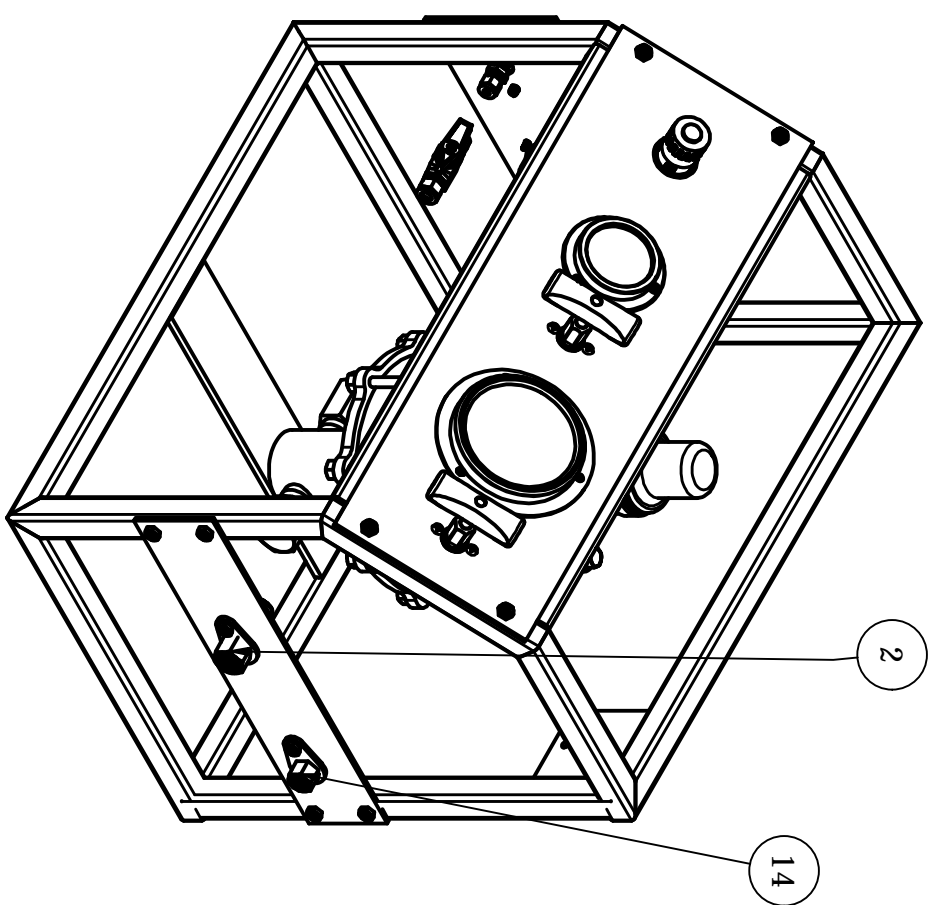
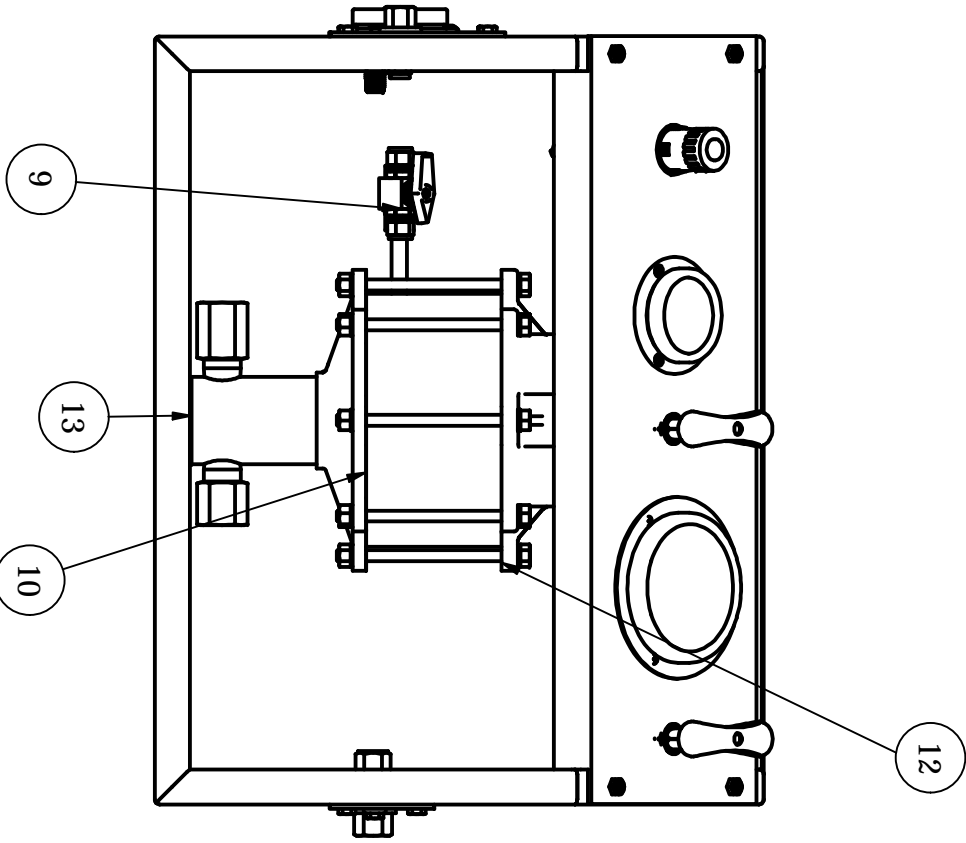
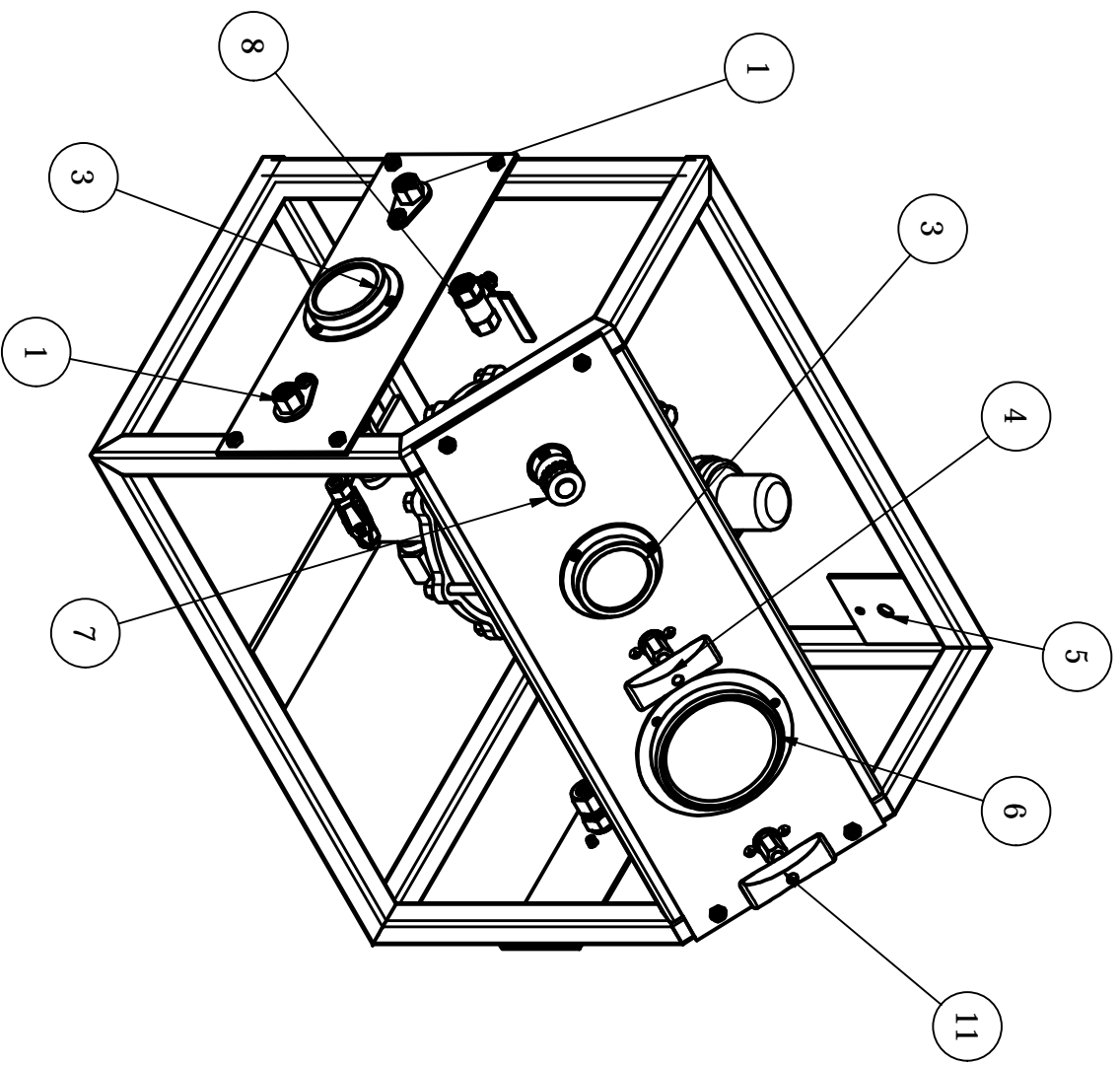
FLOW CURVE RATIO 180:1



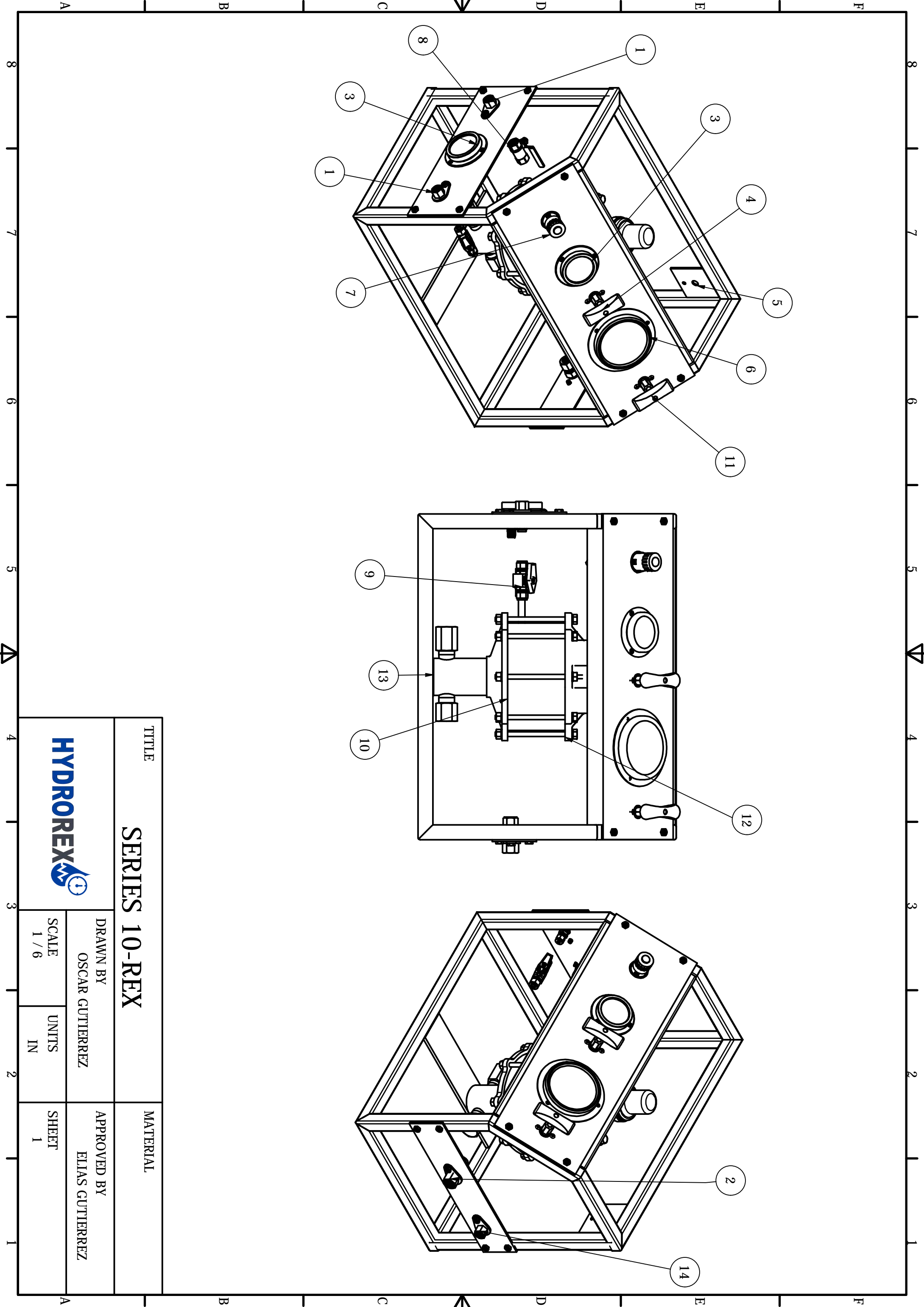
GENERAL PRODUCT INFORMATION

- When operating from 0 to rated hydraulic pressure, air consumption will be approximately **24-56 scfm** of free air at 100 psi output. At lower air pressures and higher hydraulic pressures air consumption will be reduced proportionately to flow rates indicated.
- The 10REX Series "Dry Lube" pump does not require an air line lubricator.
- Contact Hydrorex for pressure gauges calibration / certificate.
- Maintenance parts for future repairs, all components & accessories can be found on our website www.hydrorex.com

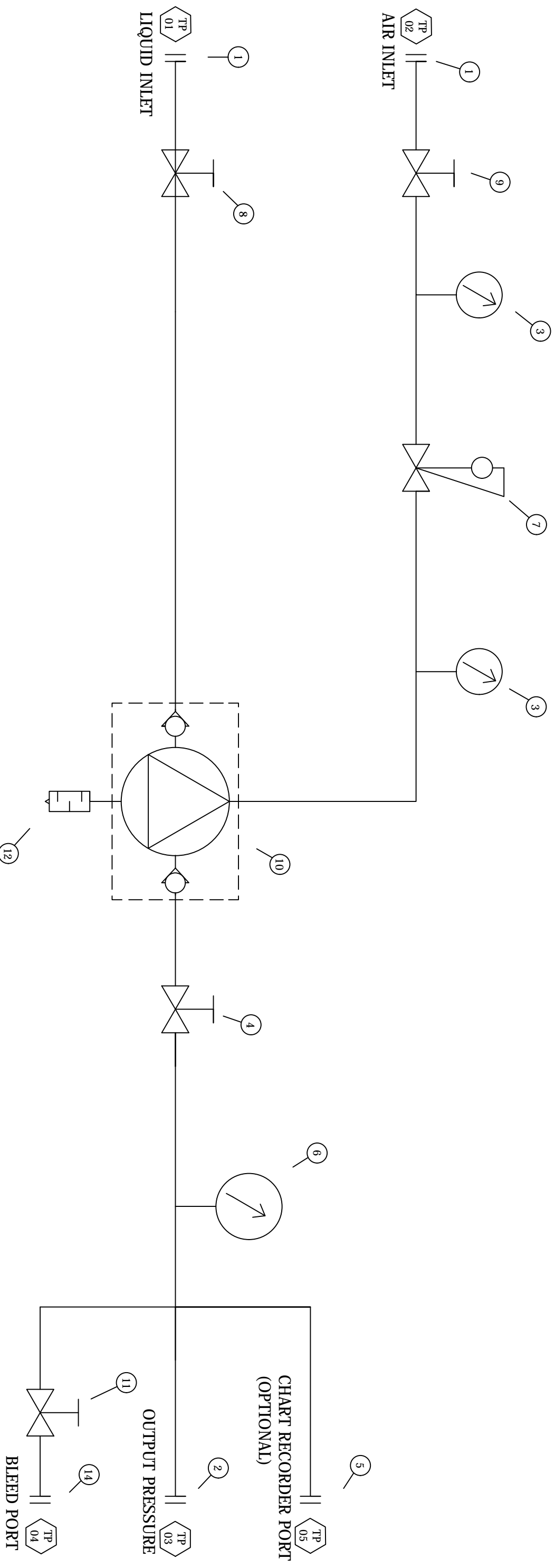





TITLE	SERIES 10-REX			MATERIAL
DRAWN BY	OSCAR GUTIERREZ	APPROVED BY	ELIAS GUTIERREZ	
SCALE	1 / 6	UNITS	IN	
SHEET	1			



PORT SIZES		
TIP	SIZE	DESCRIPTION
1	1/2" FNPT	LIQUID INLET
2	1/2" FNPT	AIR INLET
3	1/4" FNPT	OUTPUT PRESSURE
4	1/4" FNPT	BLEED PORT
5	1/4" FNPT	MONITORING (OPTIONAL)



TITLE	MATERIAL
10-REX PID	

DRAWN BY OSCAR GUTIERREZ		APPROVED BY ELIAS GUTIERREZ	
SCALE 1 / 7.5	UNITS	SHEET 1	
			

INSTRUMENTS AND VALVES

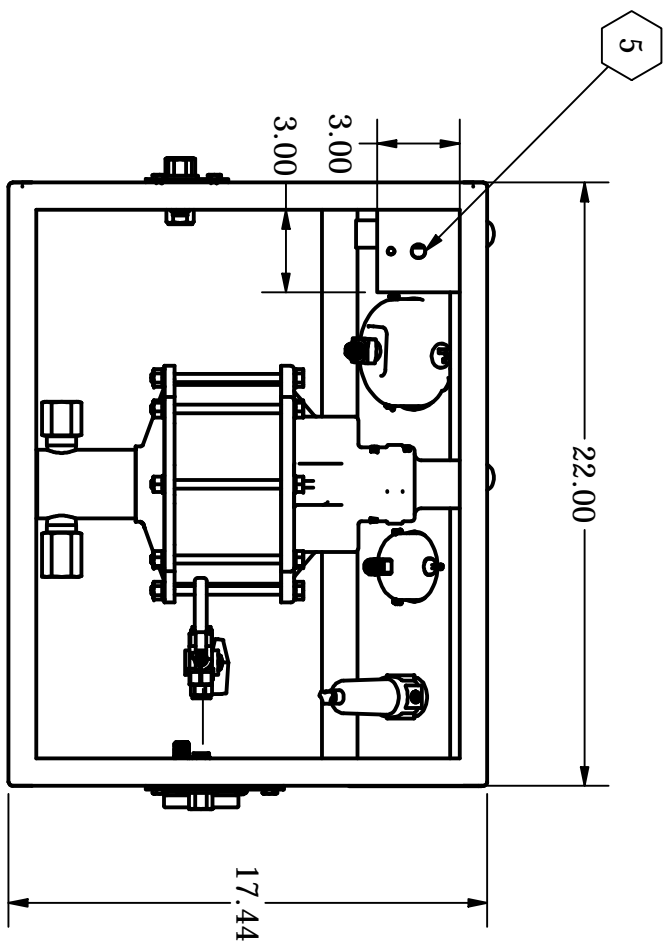
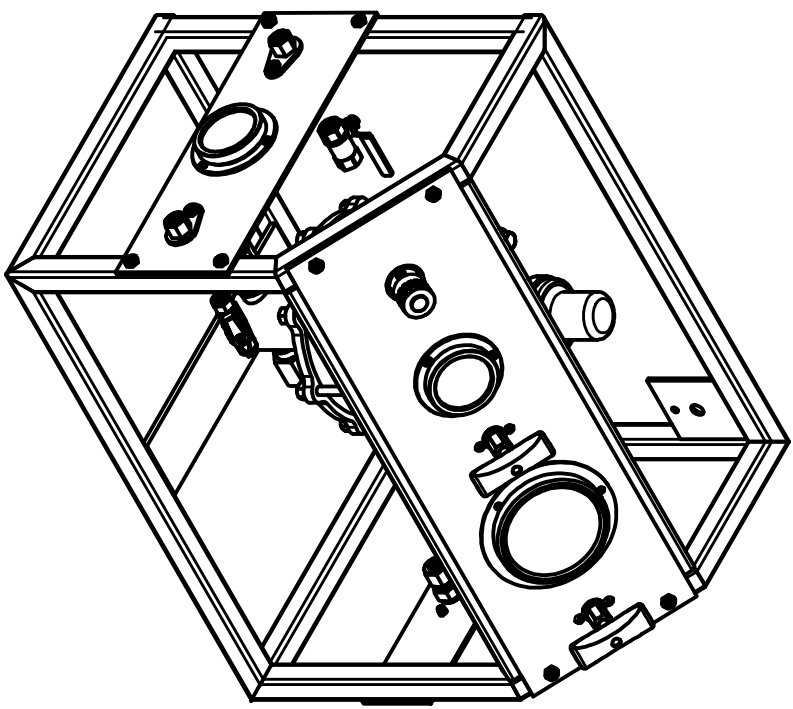
ITEM	QTY	PART NUMBER	DESCRIPTION	10-15IREX	10-18IREX	10-20IREX	10-25IREX	10-306IREX	10-404IREX	10-454IREX	10-552IREX	10-6002IREX
1	3	SS-810-71-8	1/2 FNPT X 1/2 TUBING BULKHEADS	X	X	X	X	X	X	X	X	X
2	1	HC-MF6-BH	3/8 FMP (9/16-18 UNF) Autoclave Bulkhead	X	X	X						
2	1	HC-HF4-BH	1/4 FHP (9/16-18 UNF) Autoclave Bulkhead				X	X	X	X	X	X
3	2	SS-2.5-FLB-160	AIR PRESSURE GUAGES 160 PSI	X	X	X	X	X	X	X	X	X
4	1	SS-NVMF6-20K	3/8 MP NEEDLE VALVE 20K SPIR STAR	X	X	X						
4	1	SS-NVHF4-60K	1/4 HP NEEDLE VALVE 60K SPIR STAR				X	X	X	X	X	X
5	1	HC-HF4-BH	1/4 FHP (9/16-18 UNF) Autoclave Bulkhead	X	X	X	X	X	X	X	X	X
6	1	SS-4-FLB-15K	PRESSURE GAUGE 0-15000 PSI 1/4 FHP	X								
6	1	SS-4-FLB-20K	PRESSURE GAUGE 0-20000 PSI 1/4 FHP		X	X						
6	1	SS-4-FLB-25K	PRESSURE GAUGE 0-25000 PSI 1/4 FHP				X					
6	1	SS-4-FLB-30K	PRESSURE GAUGE 0-30000 PSI 1/4 FHP					X				
6	1	SS-4-FLB-40K	PRESSURE GAUGE 0-40000 PSI 1/4 FHP						X			
6	1	SS-4-FLB-60K	PRESSURE GAUGE 0-600000 PSI 1/4 FHP							X	X	X
7	1	AFR-8	AIR PRESSURE REGULATOR W/FILTER 1/2 FNPT	X	X	X	X	X	X	X	X	X
8	1	SSBV050-2	1/2 FNPT LIQUID BALL VALVE	X	X	X	X	X	X	X	X	X
9	1	SBV120H2-S6	3/8 TUBING BALL VALVE - AIR INLET	X	X	X	X	X	X	X	X	X
10	1	10-6000W080	SC HYDRAULIC LIQUID PUMP	X								
10	1	10-6000W100	SC HYDRAULIC LIQUID PUMP		X							
10	1	10-6000W151	SC HYDRAULIC LIQUID PUMP			X	X					
10	1	10-6000S201-HF4	SC HYDRAULIC LIQUID PUMP					X				
10	1	10-6000S301-HF4	SC HYDRAULIC LIQUID PUMP						X	X		
10	1	10-6000S401-HF4	SC HYDRAULIC LIQUID PUMP								X	
11	1	SS-NVMF4-20K	1/4 NEEDLE VALVE 20K - BLEED PRESSURE	X	X	X						X
11	1	SS-NVHF4-60K	1/4 NEEDLE VALVE 60K - BLEED PRESSURE				X	X	X	X	X	X
12	1	AM-16	1" PUMP AIR MUFFLER	X	X	X	X	X	X	X	X	X
13	2	3/8-24X3/4 BOLTS	PUMP MOUNTING BOLTS 3/8-24X3/4 W/LOCK W.	X	X	X	X	X	X	X	X	X
14	1	SS-400-71-4	1/4 FNPT X TUBING BULKHEAD	X	X	X	X	X	X	X	X	X

TITLE
10-REX BOM
MATERIAL

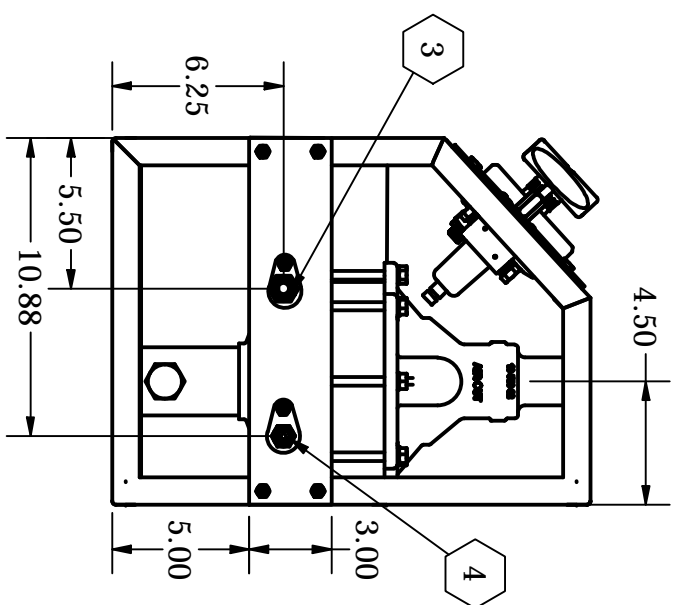
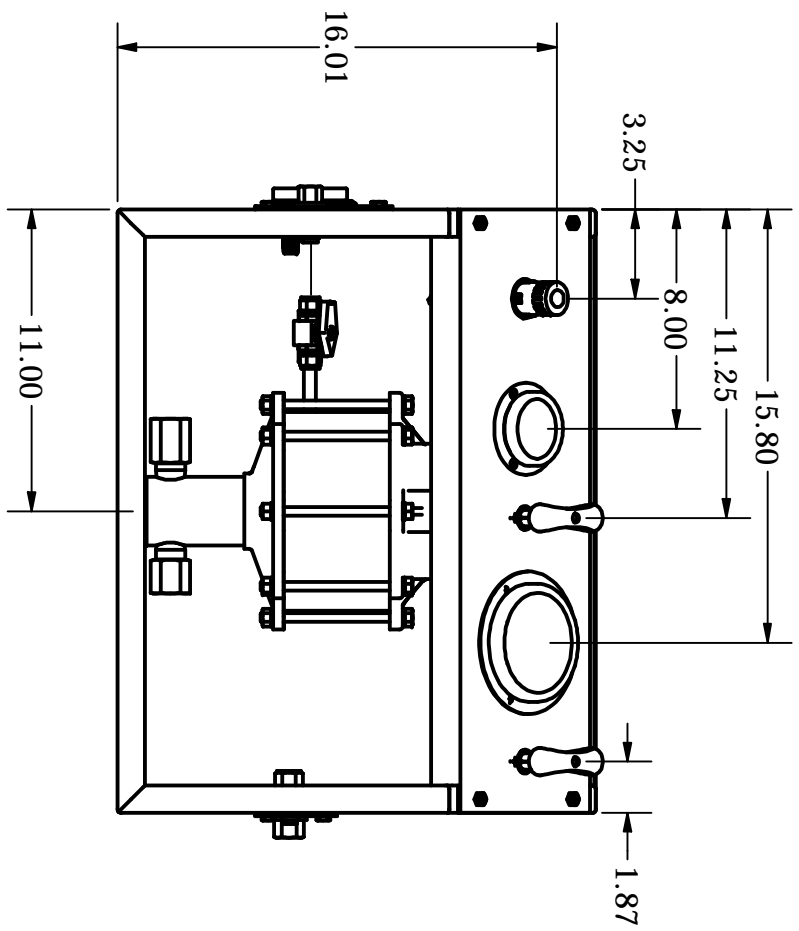
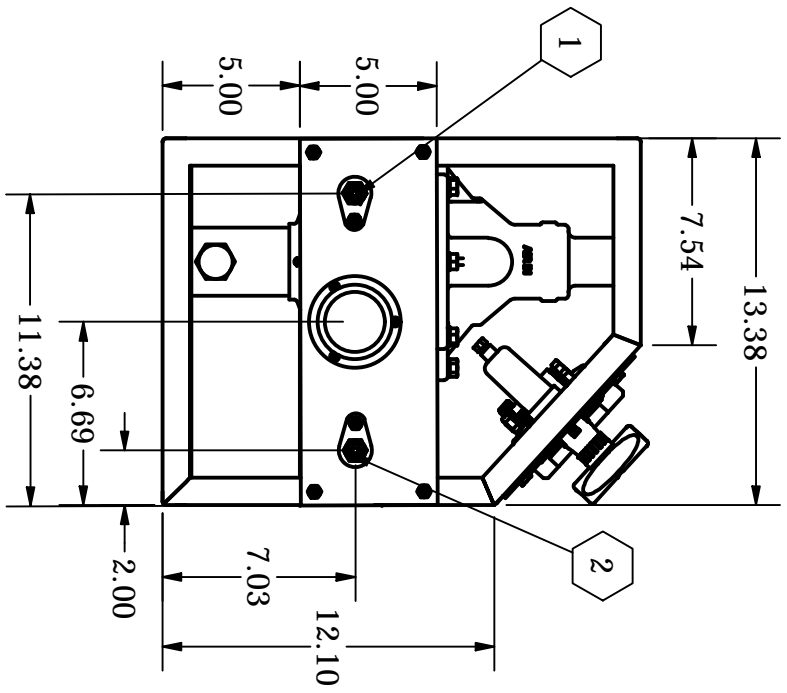
DRAWN BY
OSCAR GUTIERREZ
APPROVED BY
ELIAS GUTIERREZ

SCALE
UNITS
SHEET
1





PORT SIZES	
TIP SIZE	DESCRIPTION
1 1/2" FNPT	LIQUID INLET
2 1/2" FNPT	AIR INLET
3 1/4" FNPT	OUTPUT PRESSURE
4 1/4" FNPT	BLEED PORT
5 1/4" FNPT	MONITORING (OPTIONAL)



TITLE
SERIES 10-REX



DRAWN BY
OSCAR GUTIERREZ

APPROVED BY
ELIAS GUTIERREZ

SCALE
1 / 7

UNITS
IN

SHEET
1

