

TECHNICAL DATA SHEET

| | |
|---------|--|
| PRODUCT | HYDROSTATIC TEST EQUIPMENT |
| MODEL | 10-151 REX |
| SERIES | SERIE 10-REX |
| API | CERTIFICATED ACCORDING TO THE API |



Air operated liquid system, lightweight portable, economic, safety, durable and easy to operate. Made in USA with highest quality components for low operational cost. Available for use on a wide range of fluids including water, oil/ hydraulic and other solubles, requires 80-100 psi air drive pressure to operate. **Designed for Hydrostatic, Burst, Booster, Hydro, Injection, Leak Detector, Pressure Calibration and More.**

10-REX Series are used in most industries including Oil & Gas for: Pressure on Pipes, Valves, Hoses, Vessels, Spools, etc.

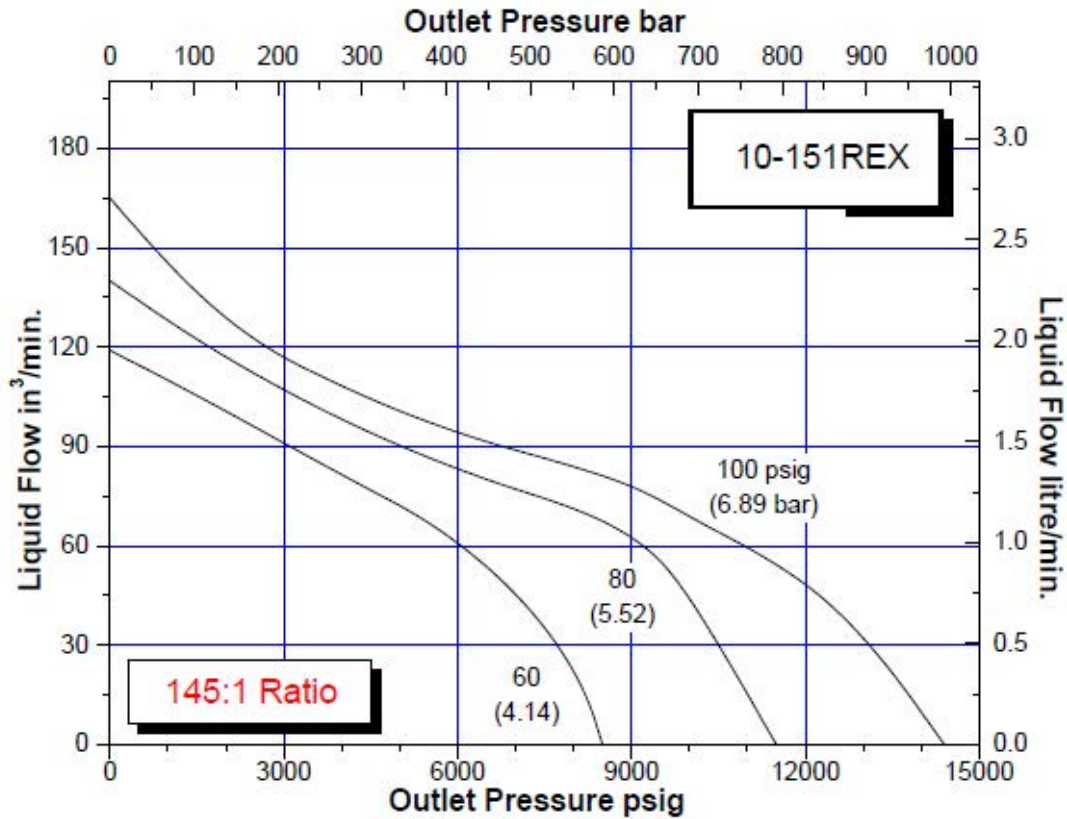
FEATURES/BENEFITS

- Designed for easy maintenance
- Low cost servicing
- Air operated liquids pump
- All pressure valves, tubing, fittings & hardware are stainless 316
- Pressure Chart Recorder Port (Optional)
- Steel frame, Unit weight: 80 pounds - Dimensions: 22"L X 18"H X 14"
- HS Code: 8413.50.0050
- Certificated according to the API
- 24-56 SCFM

PERFORMANCE DATA

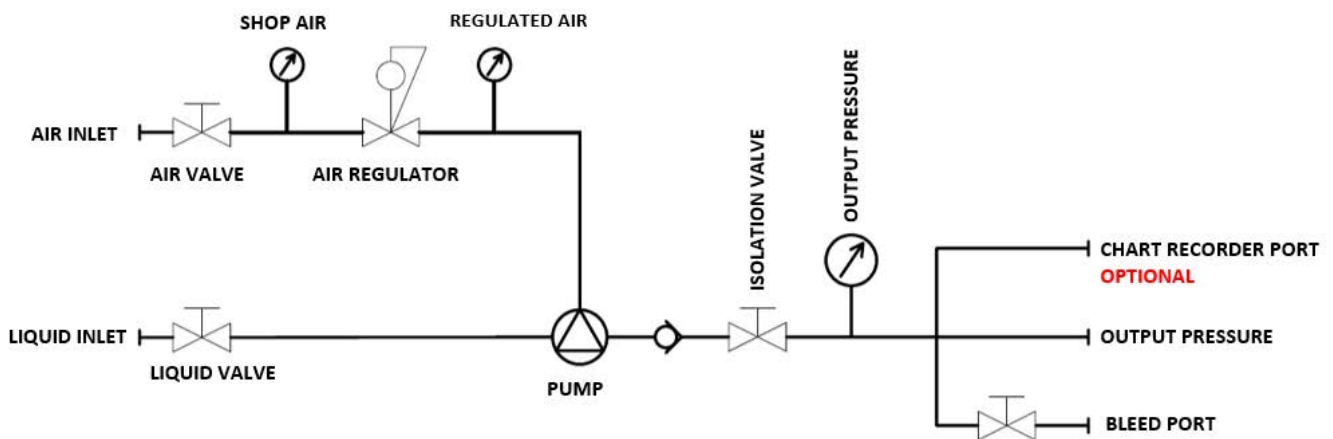
| | |
|----------------------|--------------------------|
| Output Flow | 0.72 GPM (2.75 LPM) |
| Max Output Pressure | 15000 psi (1034 bar) |
| Air Supply - Driven | 100 Psi |
| Air Inlet Port | 1/2" female NPT |
| Inlet Liquid Port | 1/2" female NPT |
| Outlet Pressure Port | 3/8" female MP |
| Pump Brand & Ration | SC-Hydraulic Ratio 145:1 |

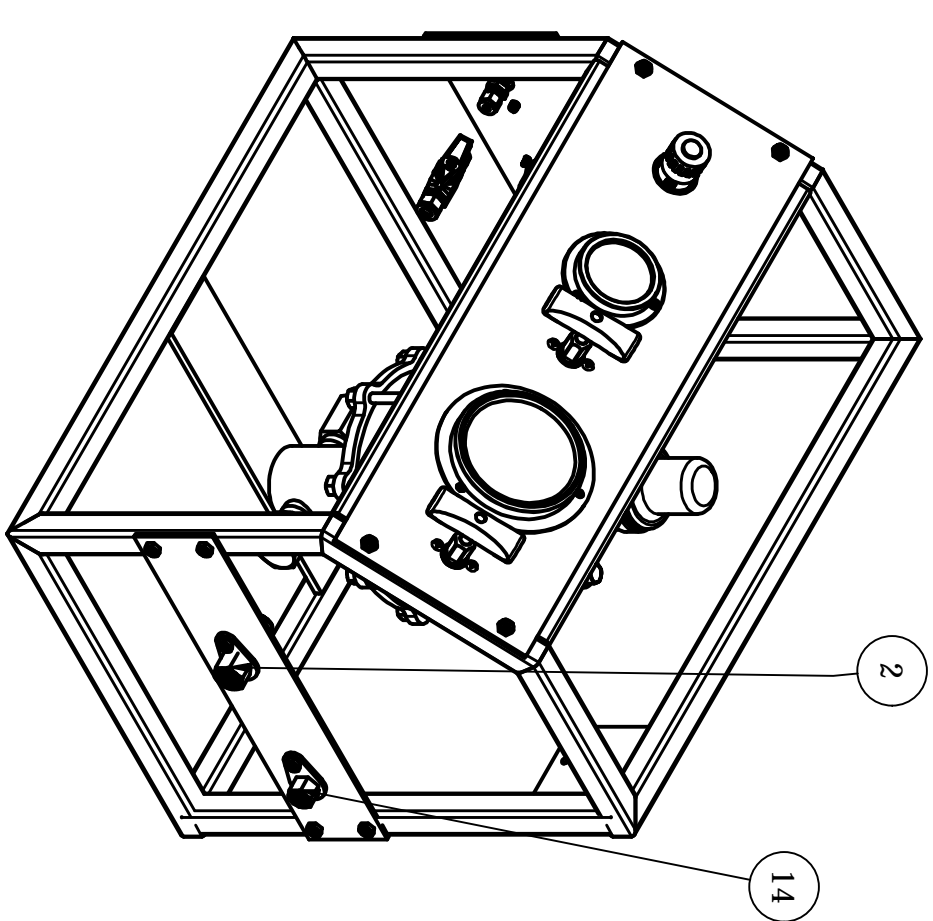
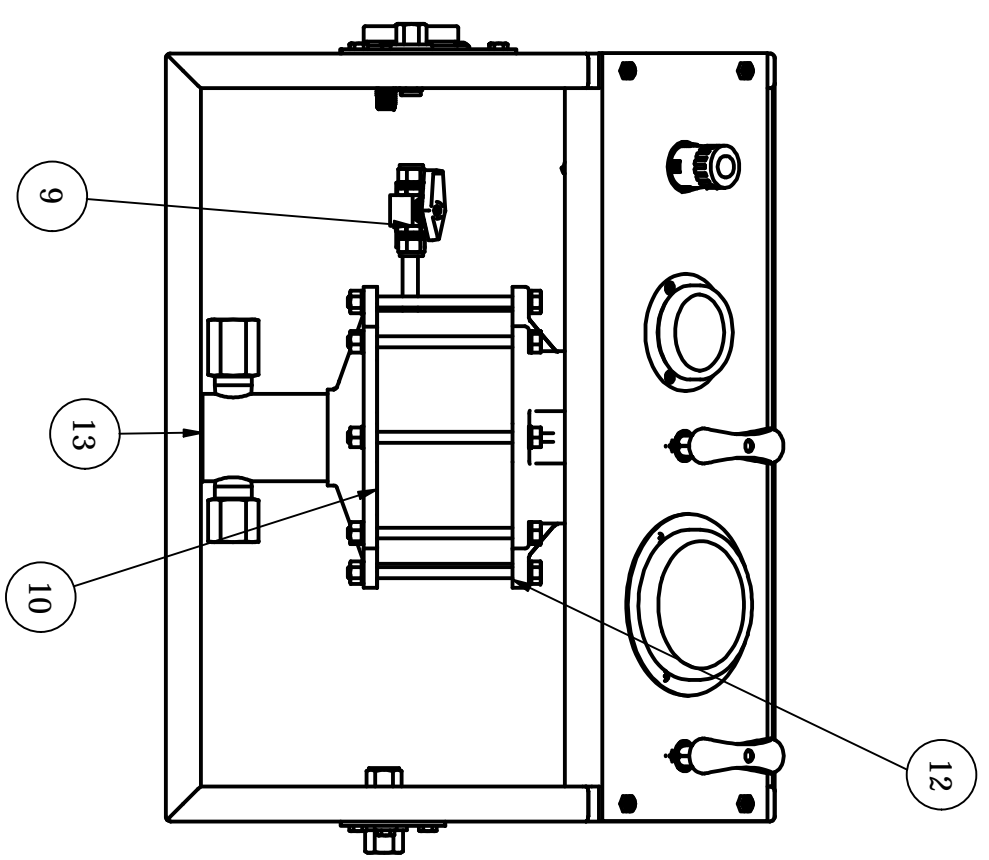
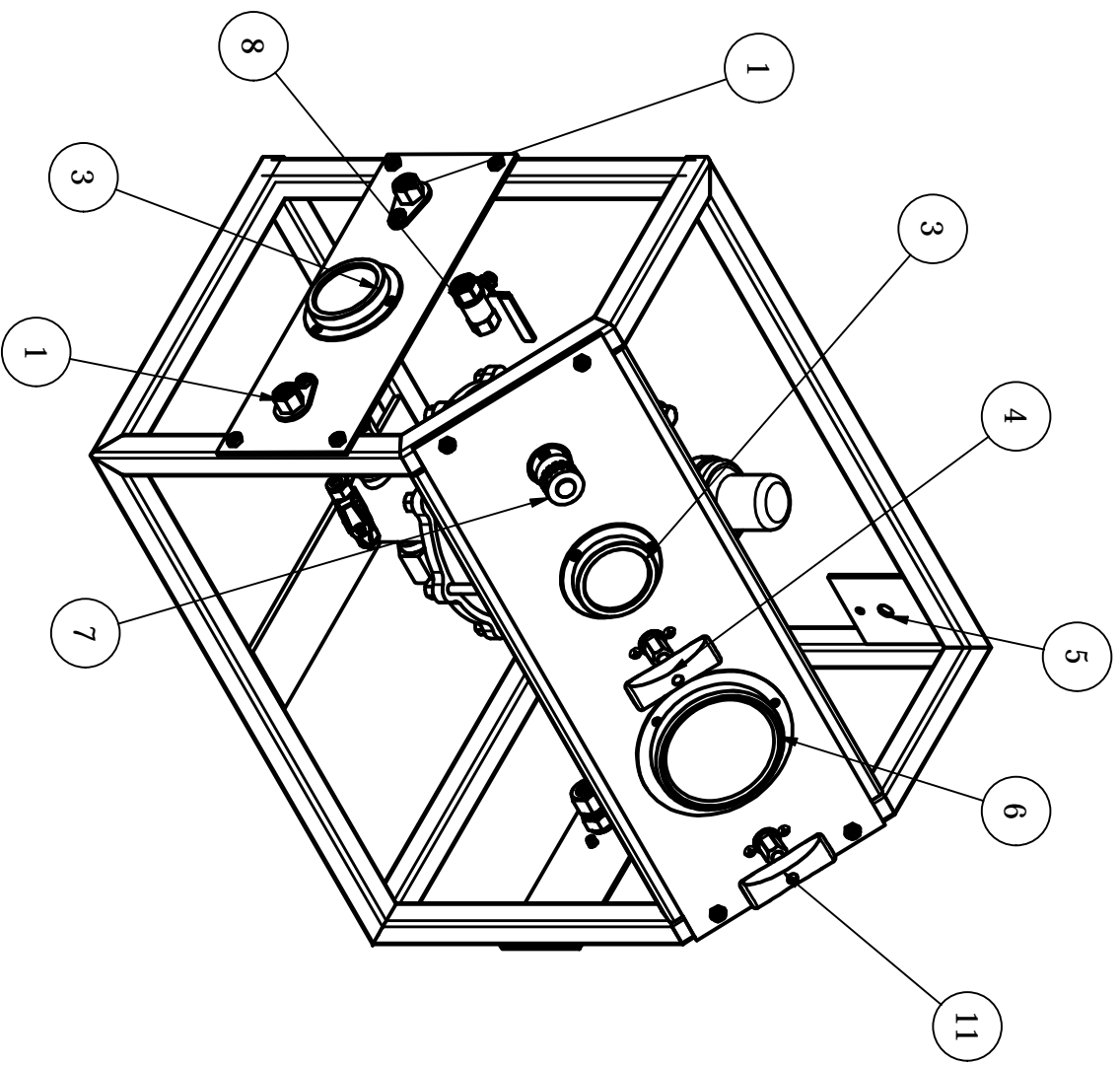
FLOW CURVE RATIO 145:1



GENERAL PRODUCT INFORMATION

- When operating from 0 to rated hydraulic pressure, air consumption will be approximately **24-56 scfm** of free air at 100 psi output. At lower air pressures and higher hydraulic pressures air consumption will be reduced proportionately to flow rates indicated.
- The 10REX Series "Dry Lube" pump does not require an air line lubricator.
- Contact Hydrorex for pressure gauges calibration / certificate.
- Maintenance parts for future repairs, all components & accessories can be found on our website www.hydrorex.com





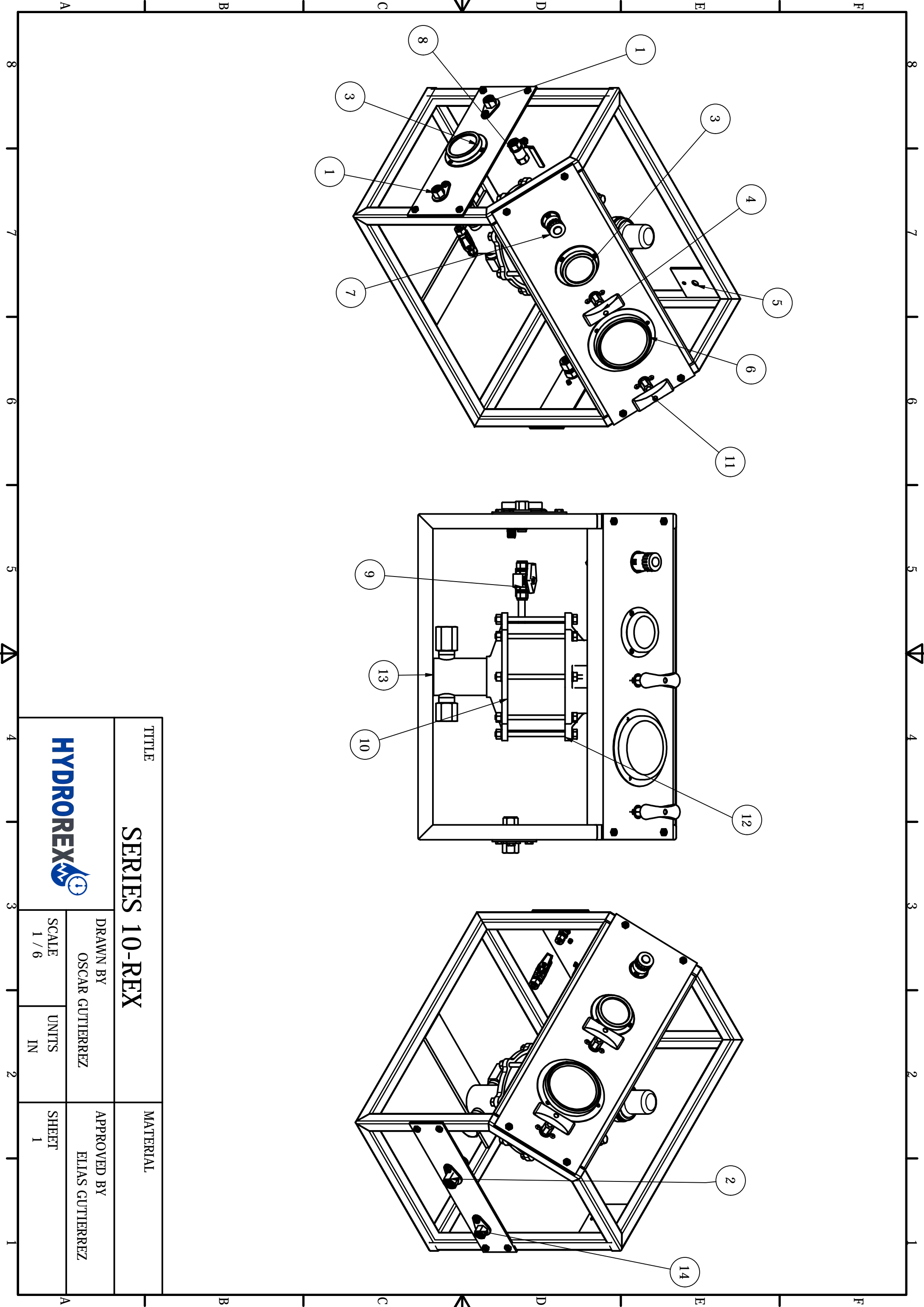
| | | | | |
|----------|-----------------|-------------|-----------------|----------|
| TITLE | SERIES 10-REX | | | MATERIAL |
| DRAWN BY | OSCAR GUTIERREZ | APPROVED BY | ELIAS GUTIERREZ | |



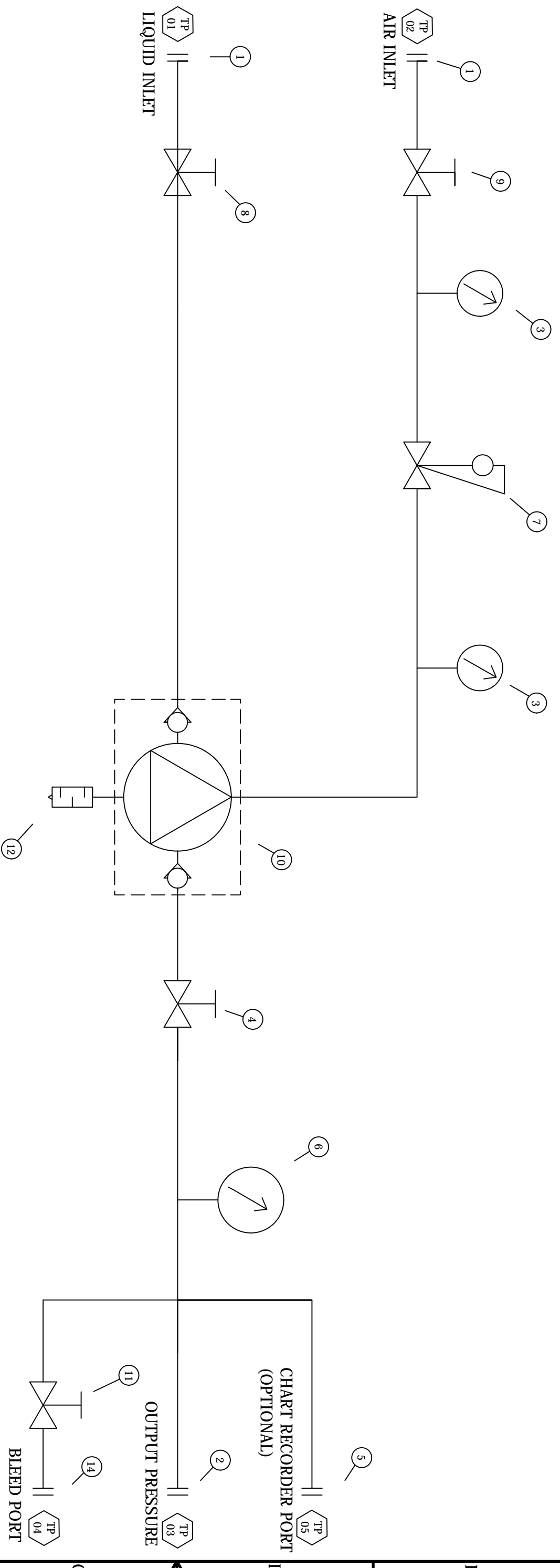
SCALE
1 / 6

UNITS
IN

SHEET
1



| PORT SIZES | | |
|------------|-----------|-----------------------|
| TIP | SIZE | DESCRIPTION |
| 1 | 1/2" FNPT | LIQUID INLET |
| 2 | 1/2" FNPT | AIR INLET |
| 3 | 1/4" FNPT | OUTPUT PRESSURE |
| 4 | 1/4" FNPT | BLEED PORT |
| 5 | 1/4" FNPT | MONITORING (OPTIONAL) |



| | | | |
|----------|-------------------|-------------|-----------------|
| TITLE | 10-REX PID | | MATERIAL |
| DRAWN BY | OSCAR GUTIERREZ | APPROVED BY | ELIAS GUTIERREZ |



| | | | |
|-------|---------|-------|-------|
| SCALE | 1 / 7.5 | UNITS | SHEET |
| | | | 1 |

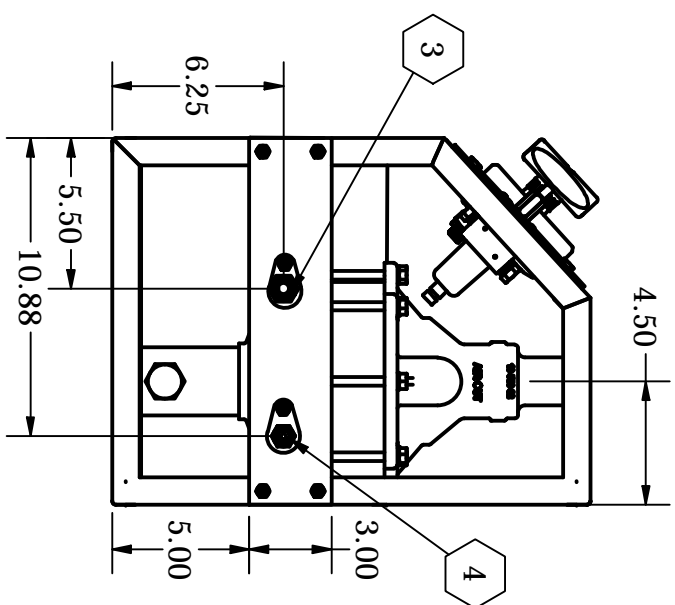
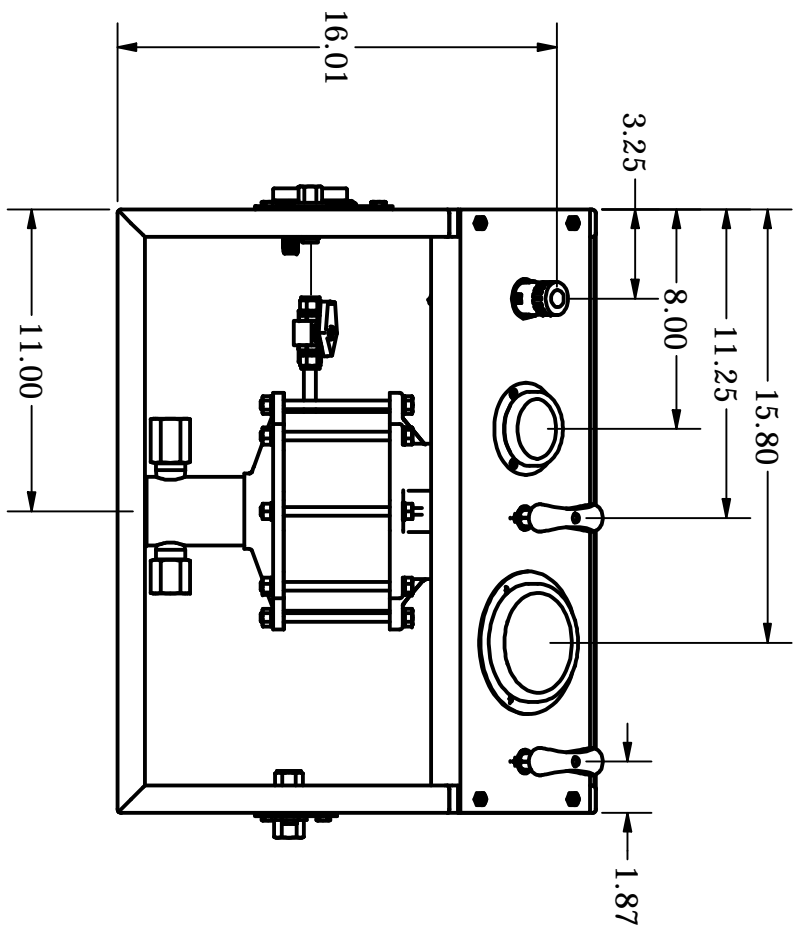
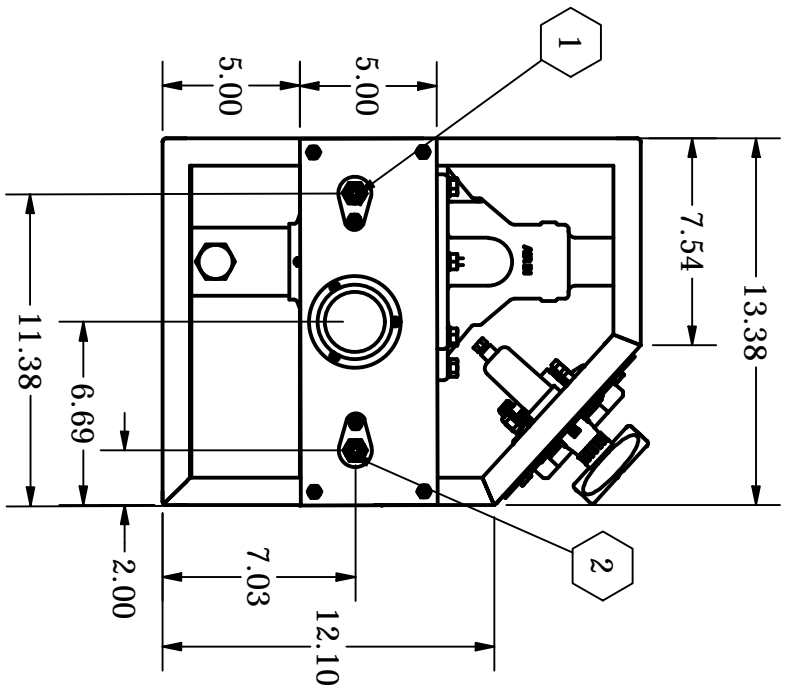
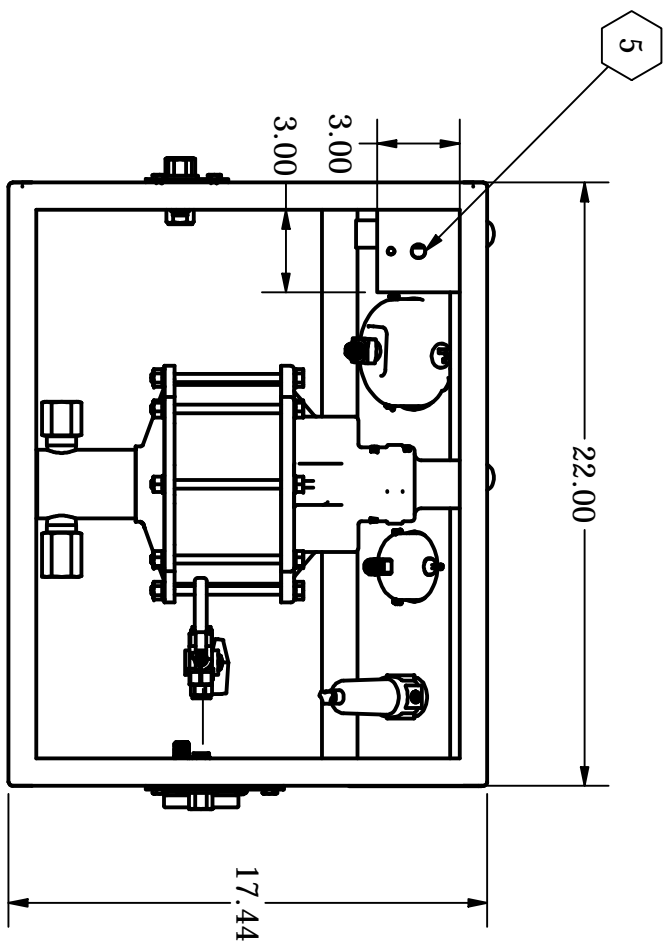
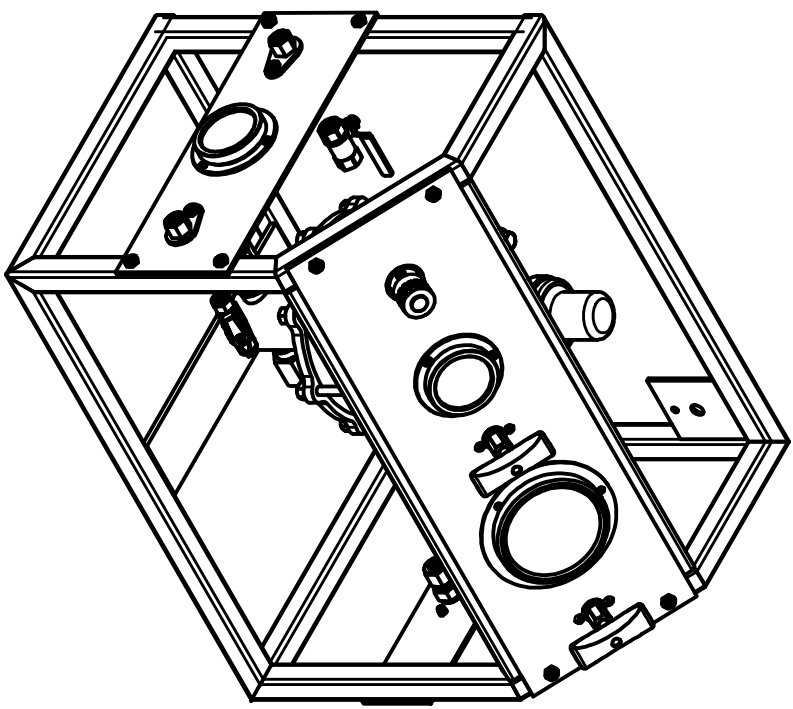
INSTRUMENTS AND VALVES

| ITEM | QTY | PART NUMBER | DESCRIPTION | 10-15IREX | 10-18IREX | 10-20IREX | 10-25IREX | 10-306IREX | 10-404IREX | 10-454IREX | 10-552IREX | 10-6002IREX |
|------|-----|------------------|--|-----------|-----------|-----------|-----------|------------|------------|------------|------------|-------------|
| 1 | 3 | SS-810-71-8 | 1/2 FNPT X 1/2 TUBING BULKHEADS | X | X | X | X | X | X | X | X | X |
| 2 | 1 | HC-MF6-BH | 3/8 FMP (9/16-18 UNF) Autoclave Bulkhead | X | X | X | | | | | | |
| 2 | 1 | HC-HF4-BH | 1/4 FHP (9/16-18 UNF) Autoclave Bulkhead | | | | X | X | X | X | X | X |
| 3 | 2 | SS-2.5-FLB-160 | AIR PRESSURE GUAGES 160 PSI | X | X | X | X | X | X | X | X | X |
| 4 | 1 | SS-NVMF6-20K | 3/8 MP NEEDLE VALVE 20K SPIR STAR | X | X | X | | | | | | |
| 4 | 1 | SS-NVHF4-60K | 1/4 HP NEEDLE VALVE 60K SPIR STAR | | | | X | X | X | X | X | X |
| 5 | 1 | HC-HF4-BH | 1/4 FHP (9/16-18 UNF) Autoclave Bulkhead | X | X | X | X | X | X | X | X | X |
| 6 | 1 | SS-4-FLB-15K | PRESSURE GAUGE 0-15000 PSI 1/4 FHP | X | | | | | | | | |
| 6 | 1 | SS-4-FLB-20K | PRESSURE GAUGE 0-20000 PSI 1/4 FHP | | X | X | | | | | | |
| 6 | 1 | SS-4-FLB-25K | PRESSURE GAUGE 0-25000 PSI 1/4 FHP | | | | X | | | | | |
| 6 | 1 | SS-4-FLB-30K | PRESSURE GAUGE 0-30000 PSI 1/4 FHP | | | | | X | | | | |
| 6 | 1 | SS-4-FLB-40K | PRESSURE GAUGE 0-40000 PSI 1/4 FHP | | | | | | X | | | |
| 6 | 1 | SS-4-FLB-60K | PRESSURE GAUGE 0-600000 PSI 1/4 FHP | | | | | | | X | X | X |
| 7 | 1 | AFR-8 | AIR PRESSURE REGULATOR W/FILTER 1/2 FNPT | X | X | X | X | X | X | X | X | X |
| 8 | 1 | SSBV050-2 | 1/2 FNPT LIQUID BALL VALVE | X | X | X | X | X | X | X | X | X |
| 9 | 1 | SBV120H2-S6 | 3/8 TUBING BALL VALVE - AIR INLET | X | X | X | X | X | X | X | X | X |
| 10 | 1 | 10-6000W080 | SC HYDRAULIC LIQUID PUMP | X | | | | | | | | |
| 10 | 1 | 10-6000W100 | SC HYDRAULIC LIQUID PUMP | | X | | | | | | | |
| 10 | 1 | 10-6000W151 | SC HYDRAULIC LIQUID PUMP | | | X | X | | | | | |
| 10 | 1 | 10-6000S201-HF4 | SC HYDRAULIC LIQUID PUMP | | | | | X | | | | |
| 10 | 1 | 10-6000S301-HF4 | SC HYDRAULIC LIQUID PUMP | | | | | | X | X | | |
| 10 | 1 | 10-6000S401-HF4 | SC HYDRAULIC LIQUID PUMP | | | | | | | | X | |
| 11 | 1 | SS-NVMF4-20K | 1/4 NEEDLE VALVE 20K - BLEED PRESSURE | X | X | X | | | | | | X |
| 11 | 1 | SS-NVHF4-60K | 1/4 NEEDLE VALVE 60K - BLEED PRESSURE | | | | X | X | X | X | X | X |
| 12 | 1 | AM-16 | 1" PUMP AIR MUFFLER | X | X | X | X | X | X | X | X | X |
| 13 | 2 | 3/8-24X3/4 BOLTS | PUMP MOUNTING BOLTS 3/8-24X3/4 W/LOCK W. | X | X | X | X | X | X | X | X | X |
| 14 | 1 | SS-400-71-4 | 1/4 FNPT X TUBING BULKHEAD | X | X | X | X | X | X | X | X | X |

| | | | |
|-------------------|--|----------|--|
| TITLE | | MATERIAL | |
| 10-REX BOM | | | |

| | | | |
|-----------------|-------|-----------------|--|
| DRAWN BY | | APPROVED BY | |
| OSCAR GUTIERREZ | | ELIAS GUTIERREZ | |
| SCALE | UNITS | SHEET | |
| 1 | 1 | 1 | |





| PORT SIZES | |
|-------------|-----------------------|
| TIP SIZE | DESCRIPTION |
| 1 1/2" FNPT | LIQUID INLET |
| 1 1/2" FNPT | AIR INLET |
| 1 1/4" FNPT | OUTPUT PRESSURE |
| 1 1/4" FNPT | BLEED PORT |
| 1 1/4" FNPT | MONITORING (OPTIONAL) |

TITLE: **SERIES 10-REX** MATERIAL:

DRAWN BY: OSCAR GUTIERREZ APPROVED BY: ELIAS GUTIERREZ



SCALE: 1 / 7 UNITS: IN SHEET: 1

