



**sales@hydrorex.com - eli@hydrorex.com**  
**Office: 832 277 1182**

**13340 TELGE RD #401 CYPRESS TEXAS 77429 USA**

# 15,000 PSI

## HYDROSTATIC TEST MANIFOLDS

**ALL STAINLES FOR LIQUIDS & GASES**

**1/2" NPT - 7 PORTS**

**1/4" NPT - 7 PORTS**



**T  
E  
S  
T  
S**

[www.hydrorex.com](http://www.hydrorex.com) - [www.pressureshop.com](http://www.pressureshop.com)

# TM8 & TM4 REX SERIES

“The Professional Style” is the most common standard testing equipment.

0-15000 PSI MEDIUM & HIGH PRESSURE: All Stainless steel hydrostatic pressure test manifolds, multiples options are available with pressures ranges up to 15,000 psig. ideal for pressure testing with all fluids and gases. Designed for hydro pressure test on all industries including Oil & Gas.

Hydrostatic pressure test manifolds low medium and high pressure. Typical hydrostatic testing operation using an Hydrorex unit and pressure test manifolds with multiples output ports.

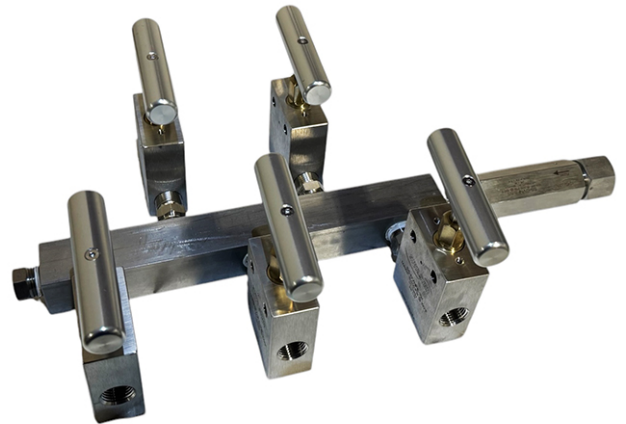
Made in USA with highest quality components for low operational cost.

## SOME STANDARDS MODELS NUMBERS

TM8-15K-3V



TM8-15K-5V-C



TM8-15K-4V-CGP



FRAME STAND



## 1/2" Female NPT & 1/4" Female NPT

All components shown below are for pressures ranging up to 15,000 psi with 1/2" female NPT and 1/4" female NPT options. Customize your pressure test manifold to your testing requirements or select from our standard model. Manifold block 8 Ports Only Available



**PSV**  
**P**



**CHECK V.**  
**C**



**GAUGE**  
**G**



**QUICK C.**  
**Q**



**HOSE**  
**H**



**VALVE N.**  
**V**



**ADAPTER**  
**A**



**SENSOR**  
**S**

### How to Order :

**TM8-15K-4V-CGP**  
**TM4-15K-4V-CGP**

- **TM8** – All 1/2" NPT Test Manifold and all components
- **TM4** – All 1/4" NPT Test Manifold and all components
- **15K** – Pressure 0-15,000
- **1,2,3,4,5** – Numbers of valves needs.
- **V**- Needle Valves
- **C**- Pressure check valve
- **Q** – Quick Connector / Disconnecter
- **G**- Pressure gauge
- **H** – Pressure Hose
- **P** – PSV pressure safety/relief valve
- **A** – Adapters JIC (hoses adapters)
- **S** – Sensor (pressure transducer digital recorder)
- **F** – Frame Stand & Support.



**F - FRAME STAND**



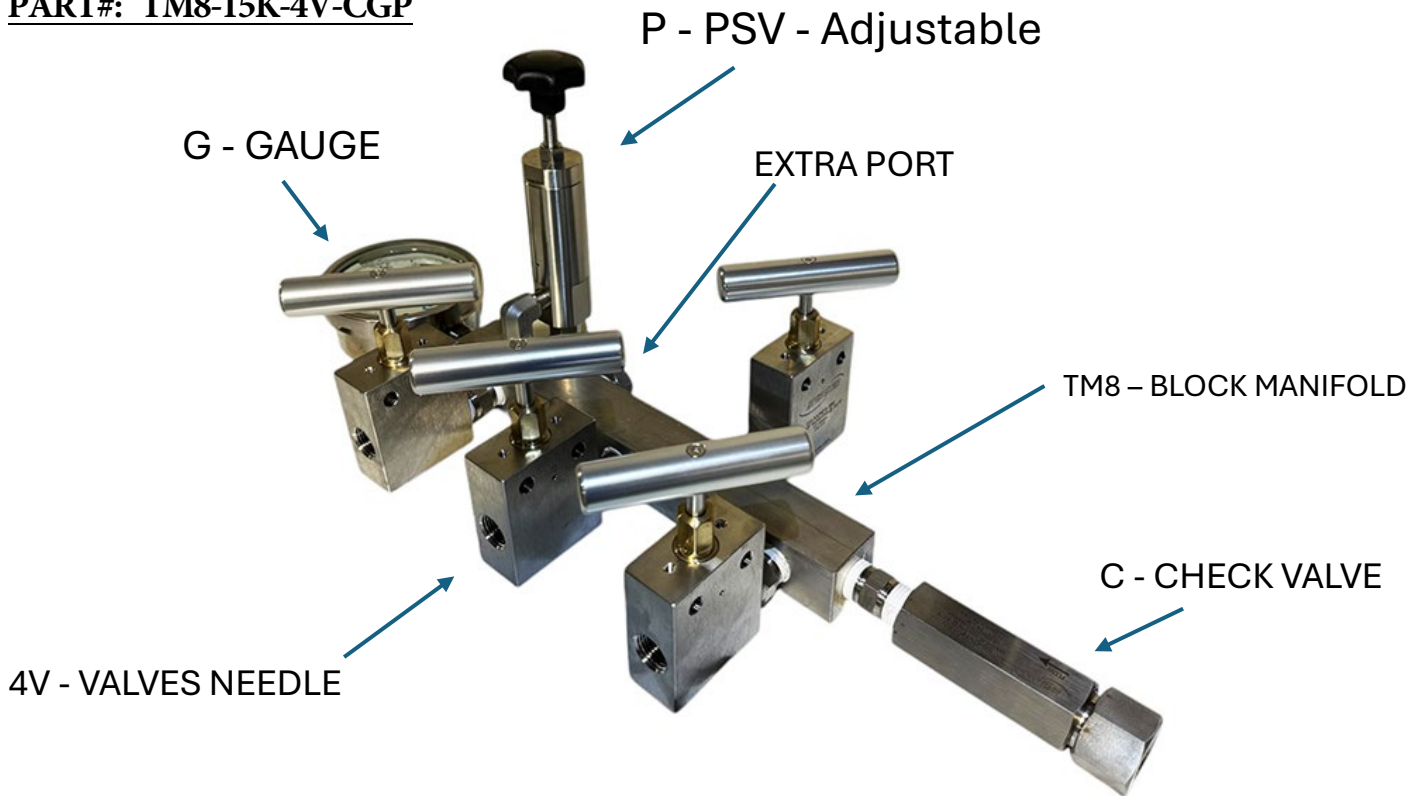
**Standard Models Available or Customize Yours  
Designed for Liquids and Gases  
HYDROSTATIC TEST MANIFOLDS**



**0-15,000 PSI - 1/2" NPT**

PART NUMBER	PORTS	VALVES TEST PORTS	INLET CHECK V. QUICK CONN. HOSE ADAPTER	PSV SAFETY VALVE	TEST GAUGE	PRESURE	EXTRA PORTS
TM8-15k-3V	7 PORTS	3 VALVES	OPEN	X	X	0-15,000 PSI	2 OPEN 2 PLUGGED
TM8-15K-3V-Q	7 PORTS	3 VALVES	QUICK CONNECTOR	X	X	0-15,000 PSI	1 OPEN 2 PLUGGED
TM8-15K-3V-C	7 PORTS	3 VALVES	CHECK VALVE	X	X	0-15,000 PSI	1 OPEN 2 PLUGGED
TM8-15K-5V-C	7 PORTS	5 VALVES	CHECK VALVE	X	X	0-15,000 PSI	1 PLUGGED
TM8-15K-5V-CG	7 PORTS	5 VALVES	CHECK VALVE	X	15K GAUGE	0-15,000 PSI	X
TM8-15K-4V-CGP	7 PORTS	4 VALVES	CHECK VALVE	PSV 1K-10K	15K GAUGE	0-15,000 PSI	X

PART#: TM8-15K-4V-CGP





## Hose Type 13/2W Hydrostatic Hose 0- 15,000 Psi Part# H20-15K-8NPT

### Applications

**Hydrostatic:** Pressure test, booster, burst test, injection, hydro, function test, static pressure. Pressure test equipment Bolt tensioning, (valves, tooling, instrumentation, panels, controls, jacks) hydroforming, subsea, hydraulics and more.

**Liquids & Gases** Hydraulics, Waters, Oils, Glycol (Nitrogen, Oxigen, Helium, Hydrogen, Air, Argon)

### Technical Information

**Inner Core:** Polyamide (PA) 2 open layers, 2 dense layers of high-tensile steel wire  
**Pressure Support**  
**Outer Cover:** Polyurethane (TPU)  
**Color:** Black  
**Temperature:** -30°C to +60°C [-22°F to 140°F]



Ø ID	Ø OD	Working Pressure		Burst Pressure	Bend Radius	Weight	Insert ID
		--	(SF 2.5:1)				
12,8 mm	20,8 mm	--	1.040 bar	2.600 bar	150 mm	0,590 kg/m	8,5 mm
0,50 inch	0,82 inch	--	15.080 psi	37.700 psi	5,91 inch	0,395 lbs/ft	0,33 inch

Part no.	Thread	Material	Dimensions (mm)				Sleeve
			A	B	C	⌀	
<b>Sleeve</b>							
11330191W	-	Steel	27,2	58	-	-	
11330195W	-	AISI 316Ti	27,2	58	-	-	

Part no.	Thread	Material	Nut	Dimensions (mm)				Insert
				A	B	C	⌀	
<b>Male fitting</b>								
31320401A	1/2"x14NPTF	Steel	-	8,5	90	18	22	
31320405A	1/2"x14NPTF	AISI 316Ti	-	8,5	90	18	22	

### Hose Quick Disconnect



Order with 2 quick disconnect sets

0-15,000 Psi pressure hoses quick disconnects (all stainless steel) coupler and nipple set 1/2" female NPT

Part# CQD-08-SET

www.hydrorex.com



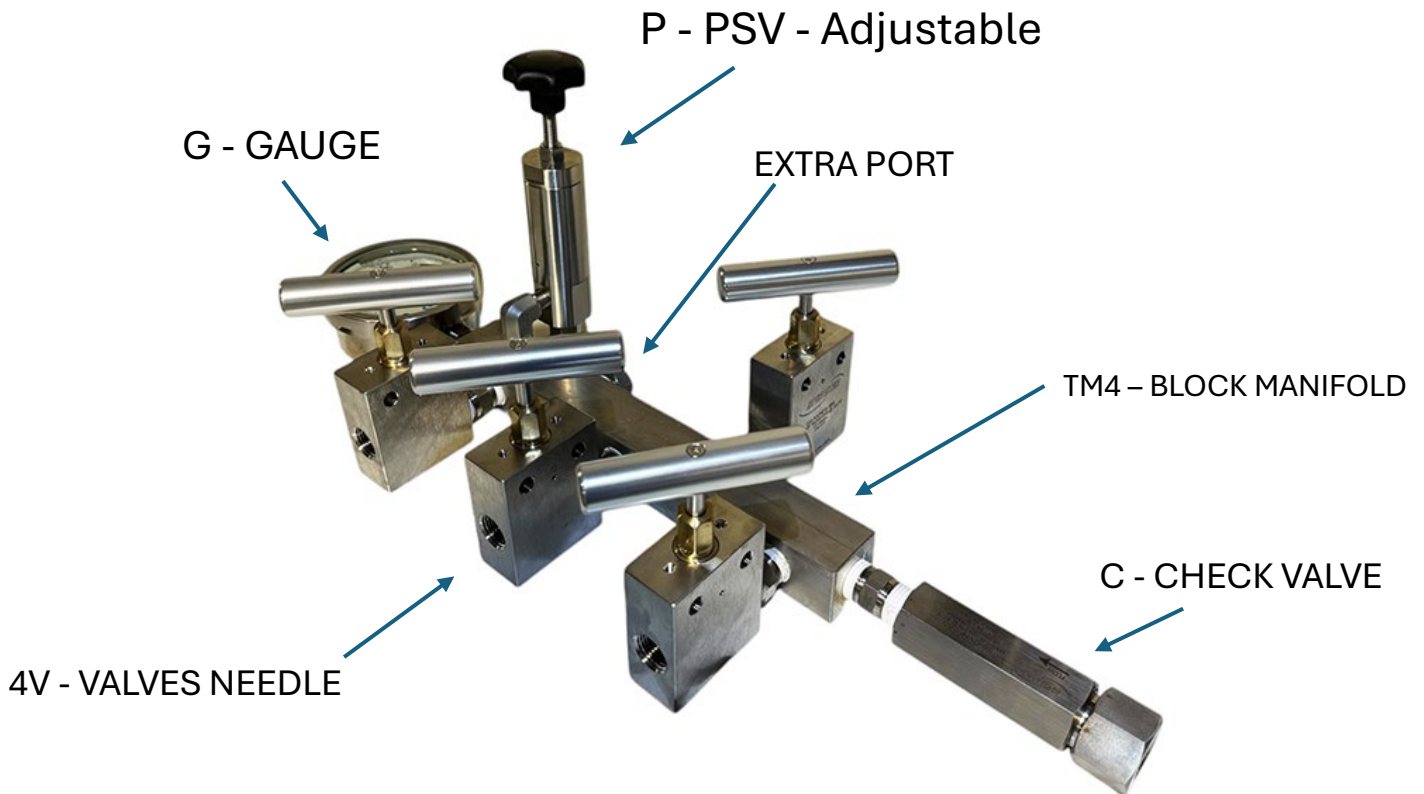


**Standard Models Available or Customize Yours  
Designed for Liquids and Gases  
HYDROSTATIC TEST MANIFOLDS**



**0-15,000 PSI - 1/4" NPT**

PART NUMBER	PORTS	VALVES TEST PORTS	INLET CHECK V. QUICK CONN. HOSE ADAPTER	PSV SAFETY VALVE	TEST GAUGE	PRESURE	EXTRA PORTS
TM4-15k-3V	7 PORTS	3 VALVES	OPEN	X	X	0-15,000 PSI	2 OPEN 2 PLUGGED
TM4-15K-3V-Q	7 PORTS	3 VALVES	QUICK CONNECTOR	X	X	0-15,000 PSI	1 OPEN 2 PLUGGED
TM4-15K-3V-C	7 PORTS	3 VALVES	CHECK VALVE	X	X	0-15,000 PSI	1 OPEN 2 PLUGGED
TM4-15K-5V-C	7 PORTS	5 VALVES	CHECK VALVE	X	X	0-15,000 PSI	1 PLUGGED
TM4-15K-5V-CG	7 PORTS	5 VALVES	CHECK VALVE	X	15K GAUGE	0-15,000 PSI	X
TM4-15K-4V-CGP	7 PORTS	4 VALVES	CHECK VALVE	PSV 1K-10K	15K GAUGE	0-15,000 PSI	X





# Hose Type 6/2W Hydrostatic

## Hose 0- 15,000 Psi

### Part# H20-15K-4NPT

**Applications****Hydrostatic:**

Pressure test, booster, burst test, injection, hydro, function test, static pressure. Pressure test equipment Bolt tensioning, (valves, tooling, instrumentation, panels, controls, jacks) hydroforming, subsea, hydraulics and more.

**Liquids & Gases**

Hydraulics, Waters, Oils, Glycol (Nitrogen, Oxygen, Helium, Hydrogen, Air, Argon)

**Technical Information****Inner Core:**

Polyamide (PA) 2 open layers, 2 dense layers of high-tensile steel wire Polyurethane (TPU)

**Pressure Support****Outer Cover:**

Black

**Color:****Temperature:**

-30°C to +60°C [-22°F to 140°F]



Ø ID	Ø OD	Working Pressure	Burst Pressure	Bend Radius	Weight	Insert ID
		-- (SF 2,5:1)				
6,0 mm	12,0 mm	--	1.280 bar	95 mm	0,230 kg/m	4,0 mm
0,24 inch	0,47 inch	--	18.560 psi	3,74 inch	0,154 lbs/ft	0,16 inch

Part no.	Thread	Material	Dimensions (mm)				Sleeve
			A	B	C	Ø	
10630191W	-	Steel	15,4	43	-	-	
10630195W	-	AISI 316Ti	15,4	43	-	-	

Part no.	Thread	Material	Nut	Dimensions (mm)				Insert
				A	B	C	Ø	
<b>30620401A</b>	<b>1/4"x18 MNPT</b>	<b>Steel</b>	<b>-</b>	<b>4</b>	<b>68</b>	<b>14</b>	<b>14</b>	

**Hose Quick Disconnect**

Order with 2 quick disconnect sets

0-15,000 Psi pressure hoses quick disconnects (all stainless steel) coupler and nipple set 1/4" female NPT

Part# CQD-04-SET

www.hydrorex.com

