



sales@hydrorex.com - eli@hydrorex.com
Office: 832 277 1182

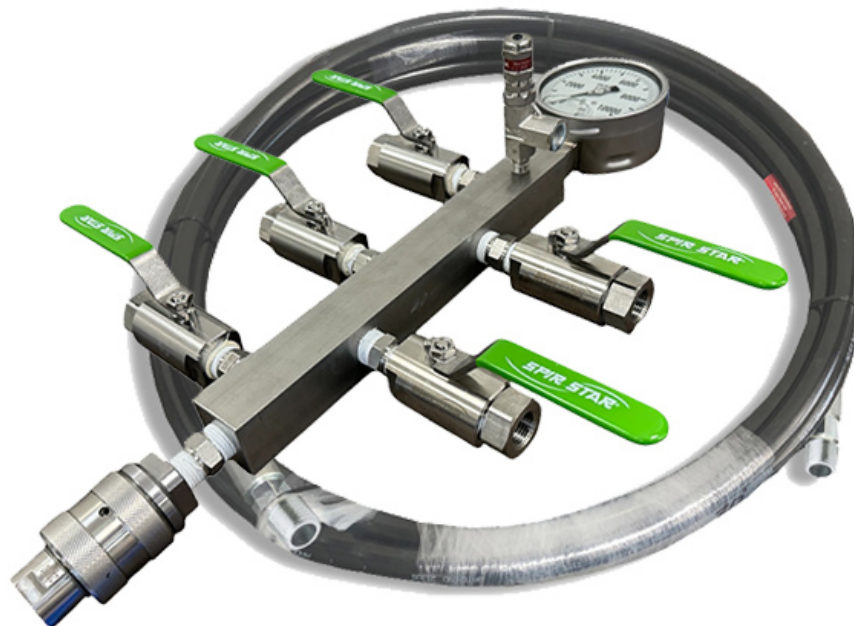
13340 TELGE RD #401 CYPRESS TEXAS 77429 USA

6,000 PSI

HYDROSTATIC TEST MANIFOLDS

ALL STAINLES FOR LIQUIDS & GASES

1/2" NPT - 7 PORTS



TESTS

www.hydrorex.com - www.pressureshop.com

TM8 REX SERIES

“The Professional Style” is the most common standard testing equipment.

0-6000 PSI MEDIUM & HIGH PRESSURE: All Stainless steel hydrostatic pressure test manifolds, multiples options are available with pressures ranges up to 6,000 psig. ideal for pressure testing with all fluids and gases. Designed for hydro pressure test on all industries including Oil & Gas.

Hydrostatic pressure test manifolds low medium and high pressure. Typical hydrostatic testing operation using an Hydrorex unit and pressure test manifolds with multiples output ports.

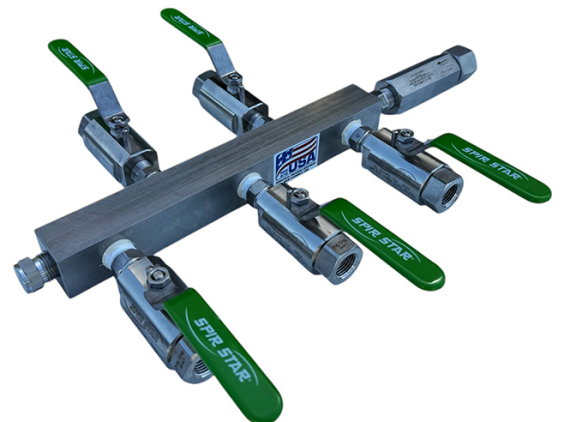
Made in USA with highest quality components for low operational cost.

SOME STANDARDS MODELS NUMBERS

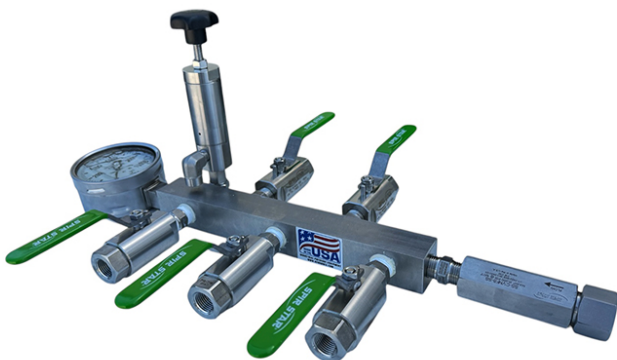
TM8-6K-3V



TM8-6K-5V-C



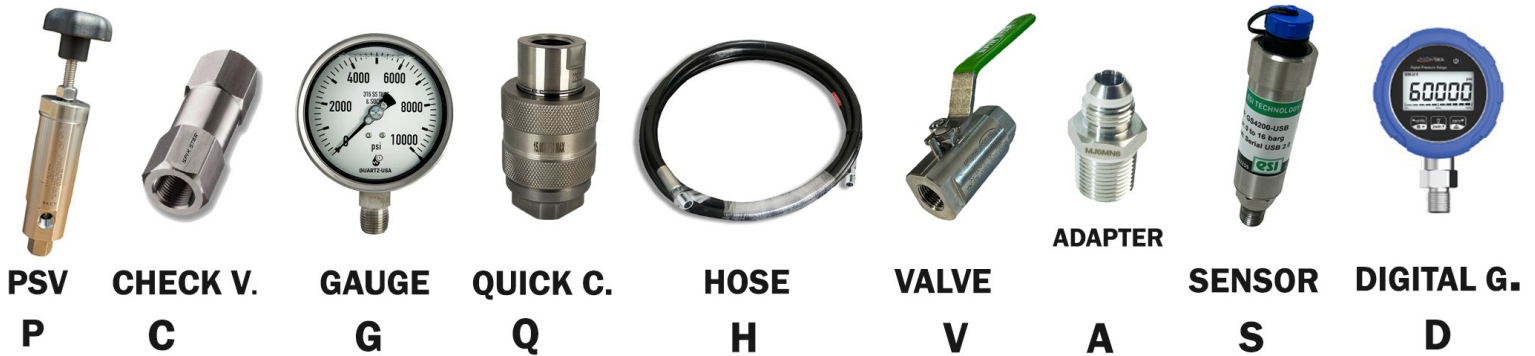
TM8-6K-5V-QGP



FRAME STAND



All components shown below are for pressures ranging up to 6,000 psi with 1/2" female NPT options. **Customize your** pressure test manifold to your testing requirements or select from our standard model. **Manifold block 8 Ports Only Available**



How to Order :

TM8-6K-5V-QG

- **TM8** – All 1/2" NPT Test Manifold and all components
- **6K** – Pressure 0-6,000 Psi
- **1,2,3,4,5** – Numbers of valves needs.
- **V** - Needle Valves
- **C** - Pressure check valve
- **Q** – Quick Connector / Disconnecter
- **G** - Pressure gauge
- **D** - Digital gauge
- **H** – Pressure Hose
- **P** – PSV pressure safety/relief valve
- **A** – Adapters JIC (hoses adapters)
- **S** – Sensor (pressure transducer digital recorder)
- **F** – Frame Stand & Support.



F - FRAME STAND

For any questions or concerns regarding your custom manifolds please contact us at eli@hydrorex.com Office: 832 277 1182



Standard Models Available or Customize Yours
Designed for Liquids and Gases

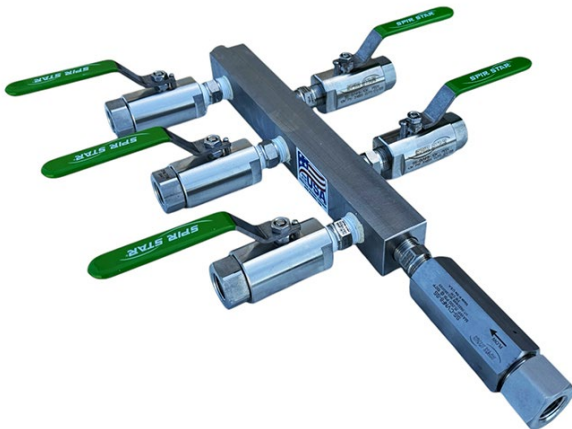
HYDROSTATIC TEST MANIFOLDS



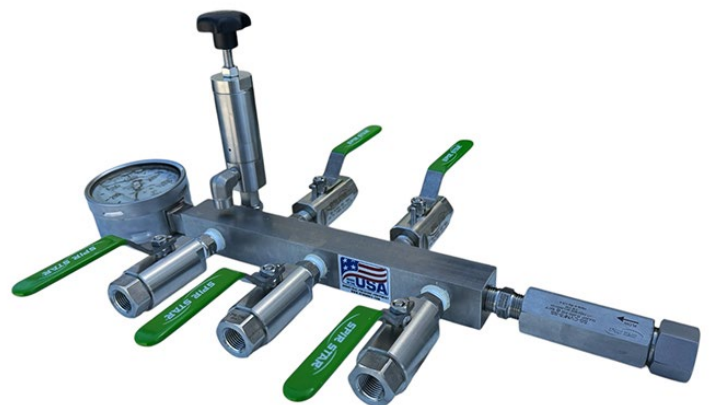
0-6,000 PSI - 1/2" NPT

PART NUMBER TM8-10K	PORTS	VALVES TEST PORTS	INLET CHECK V. QUICK CONN. HOSE ADAPTER	PSV SAFETY VALVE	TEST GAUGE	PRESURE	EXTRA PORTS
TM8-6K-3V	7 PORTS	3 VALVES	OPEN	X	X	0-6,000 PSI	2 OPEN 2 PLUGGED
TM8-6K-3V-Q	7 PORTS	3 VALVES	QUICK CONNECTOR	X	X	0-6,000 PSI	1 OPEN 2 PLUGGED
TM8-6K-3V-C	7 PORTS	3 VALVES	CHECK VALVE	X	X	0-6,000 PSI	1 OPEN 2 PLUGGED
TM8-6K-5V-C	7 PORTS	5 VALVES	CHECK VALVE	X	X	0-6,000 PSI	1 PLUGGED
TM8-6K-5V-CG	7 PORTS	5 VALVES	CHECK VALVE	X	6K GAUGE	0-6,000 PSI	X
TM8-6K-4V-CGP	7 PORTS	4 VALVES	CHECK VALVE	PSV	6K GAUGE	0-6,000 PSI	X

MODEL: TM8-6K-5V-C



MODEL: TM8-6K-4V-CGP



Contact us to customize your own test manifold according to your test requirements at
eli@hydrorex.com Office: 832 277 1182



ID13 - Series: A

Hose Type 13/2 Hydrostatic Hose 0-10,000 Psi Part# H20-10K-8NPT

Applications:

Hydrostatic:

Pressure test, booster, burst test, injection, hydro, function test, static pressure. Pressure test equipment Bolt tensioning, (valves, tooling, instrumentation, panels, controls, jacks) hydroforming, subsea, hydraulics and more.

Liquids & Gasse

Hydraulics, Waters, Oils, Glycol (Nitrogen, Oxigen, Helium, Hydrogen, Air, Argon)

Technical Information

Inner Core:

Polyamide (PA)

Pressure Support:

2 open layers, 2 dense layers of high-tensile steel wire
Polyurethane (TPU)

Outer Cover:

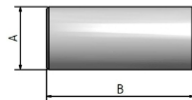
Black

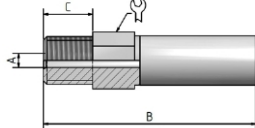
Color: Temperature:

-30°C to +60°C [-22°F to 140°F]



Ø ID	Ø OD	Working Pressure		Burst Pressure	Bend Radius	Weight	Insert ID
		--	(SF 2,5:1)				
12,9 mm	19,3 mm	--	690 bar	1.725 bar	200 mm	0,435 kg/m	8,5 mm
0,51 inch	0,76 inch	--	10.005 psi	25.010 psi	7,87 inch	0,291 lbs/ft	0,33 inch

Part no.	Thread	Material	Dimensions (mm)				Sleeve
			A	B	C	⌀	
11320101	-	Steel	26	58	-	-	

Part no.	Thread	Material	Nut	Dimensions (mm)				Insert
				A	B	C	⌀	
Male fitting								
31320401A	1/2"x14NPTF	Steel	-	8,5	90	18	22	
31320405A	1/2"x14NPTFAISI	316Ti-		8,5	90	18	22	
	1/2" Male NPT							

Hose Quick Disconnect



Order with 2 quick disconnect sets

0-15,000 Psi pressure hoses quick disconnects (all stainless steel) coupler and nipple set 1/2" female NPT

Part# CQD-08-SET

www.hydrorex.com

