

SE Hydraulic
Engineering

HYDROREX 



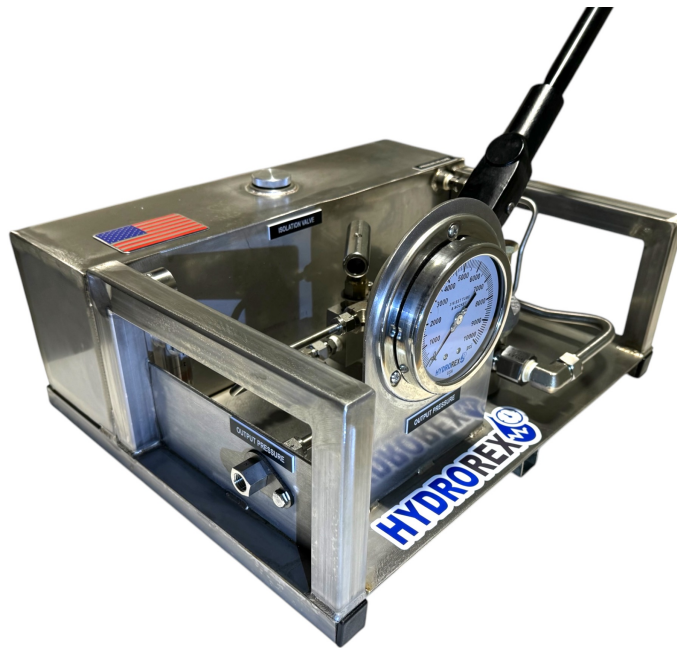
sales@hydrorex.com - eli@hydrorex.com
Office: 832 277 1182

13360 TELGE RD #401 CYPRESS TEXAS 77429 USA

HIP REX SERIES

HYDROSTATIC UNIT

THE HAND PUMP



www.hydrorex.com
www.pressureshop.com



P
U
M
P
S

HIP REX SERIES



"The Hand Hydro Test Pump & Complete Unit" lightweight, portable and easy to operate.

This single-acting, piston type hand pump is ideal for hydrostatic testing and other industrial applications that require low volumes at high pressures. The pump's stainless steel liquid body assembly is identical to and interchangeable with the liquid body assembly so the hand pump will service water, hydraulic, oil and most corrosive chemicals.

Made in USA with highest quality components for low operational cost.

Directional control of the liquid through the pump is maintained through the inlet and outlet soft seat, zero leakage, check valves.

The pump is seven inches high from its base to the top of the pumping mechanism. The handle extends twenty-four inches and is furnished with a rubber grip. The pump has two threaded mounting holes provided on the underside of the liquid body. The -1K, -3K and 4K pumps may be installed below or no more than two feet above the liquid source. The 7K, 12K & 17K pumps must be installed with the pump inlet below the liquid source.

Brand Components: Hip, Parker, Hydro-USA, SC Hydraulic, Swagelok

- Structure: All Stainless steel 1" square tubing, mounted on 1/8" thickness plate
- All Stainless, pump, valves, tubing, fittings & hardware
- Stainless pressure isolation, bleed valve & pressure gauge

Dimensions: 19" Length, 10" High, 10" Width

Weight: 29 Lbs (13 kg)

Shipping Package Dimensions: 20"L x 12" H x 12" W

Shipping Weight: 35 Lbs

HS Code: 8413.50.5000



*Coned and Threaded High Pressure Connection for 3/8" O.D. Tubing

Measurements & Approximate Displacement to cu. in. – Static Conditions

Hand Pump Model Number	Pump Output with 75 lbs. Handle Load	Liquid Inlet	Liquid Outlet	Approx. Flow Lpm	Displacement cu. in.	Ratio
HIP-2K	2220 psi	3/8 NPT	3/8 NPT	10 lpm	.708	035:1
HIP-3K	3020 psi	3/8 NPT	3/8 NPT	7 lpm	.527	060:1
HIP-4K	4350 psi	3/8 NPT	3/8 NPT	6 lpm	.366	100:1
HIP-7K	7000 psi	1/4 NPT	1/4 NPT	4 lpm	.205	150:1
HIP-12K	12000 psi	1/4 NPT	1/4 NPT	3 lpm	.132	200:1
HIP-17K	17400 psi	1/4 NPT	3/8 MP (9/16-18)	2 lpm	.092	300:1

HIPT REX SERIES WITH LIQUID TANK



"The Liquid Reservoir Tank and Hand Pump & Complete Unit" lightweight, portable and easy to operate.

This single-acting hand pump is ideal for static and dynamic industrial applications that require low flow rates at high pressures. It is constructed from stainless steel and is designed for long life and high performance. The pump is available in three models: 2K, 3K, and 4K. The 2K model is suitable for applications requiring a flow rate of 10 lpm at 2220 psi. The 3K model is suitable for applications requiring a flow rate of 7 lpm at 3020 psi. The 4K model is suitable for applications requiring a flow rate of 6 lpm at 4350 psi. The pump is made in the USA and is available in both stainless steel and aluminum.

Made in USA with highest quality components for low operational cost.

The pump is designed to maintain high pressure and flow rate for long periods of time. It is available in both stainless steel and aluminum.

The pump is seven inches high from its base to the top of the pumping mechanism. The handle extends twenty-four inches and is furnished with a rubber grip. The pump has two threaded mounting holes provided on the underside of the liquid body. The -1K, -3K and 4K pumps may be installed below or no more than two feet above the liquid source. The 2K, 12K & 17K pumps must be installed with the pump inlet below the liquid source.

Brand Components: Hip, Parker, Hydro-USA, SC Hydraulic, Swagelok

- Structure: All Stainless steel 1" square tubing, mounted on 1/8" thickness plate
- All Stainless, pump, valves, tubing, fittings & hardware
- Stainless pressure isolation, bleed valve & pressure gauge
- Stainless steel liquid tank 3 gallons (11.5 liters)

Dimensions: 19" Length, 10" High, 15" Width)

Weight: 35 Lbs (16 kg)

Shipping Package Dimensions: 20"L x 12" H x 18" W

Shipping Weight: 45 lbs

HS Code: 8413.50.5000

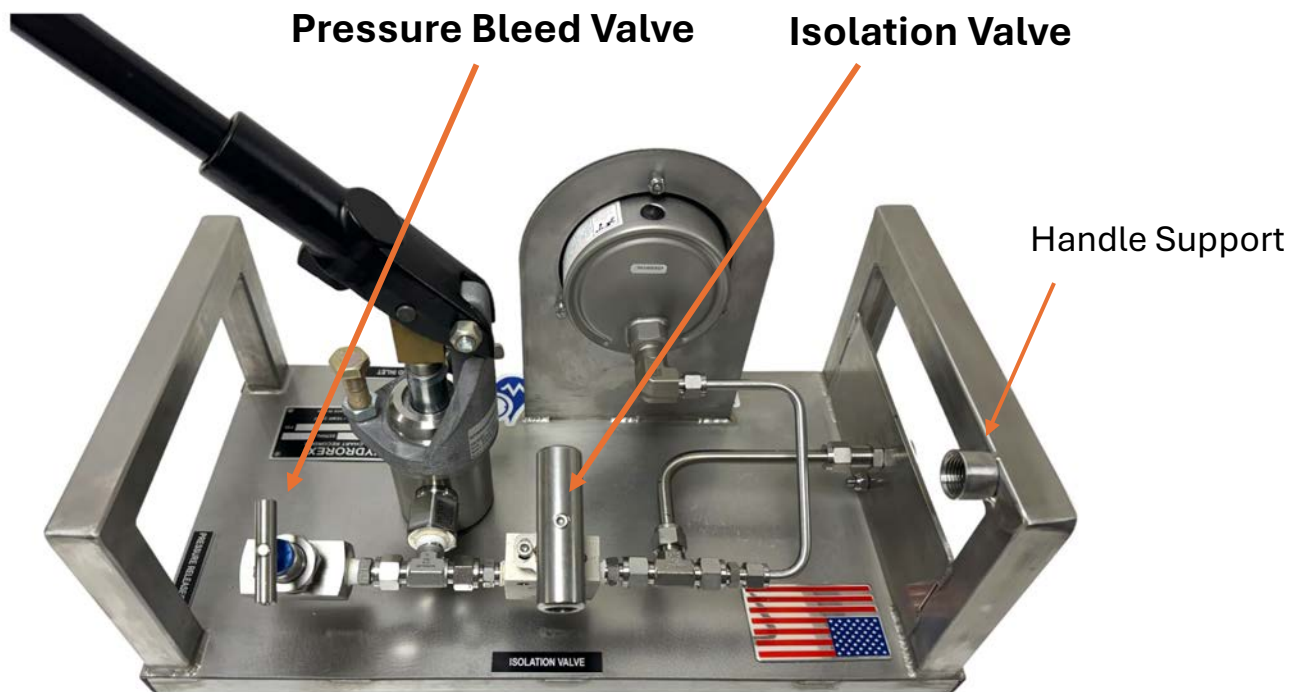
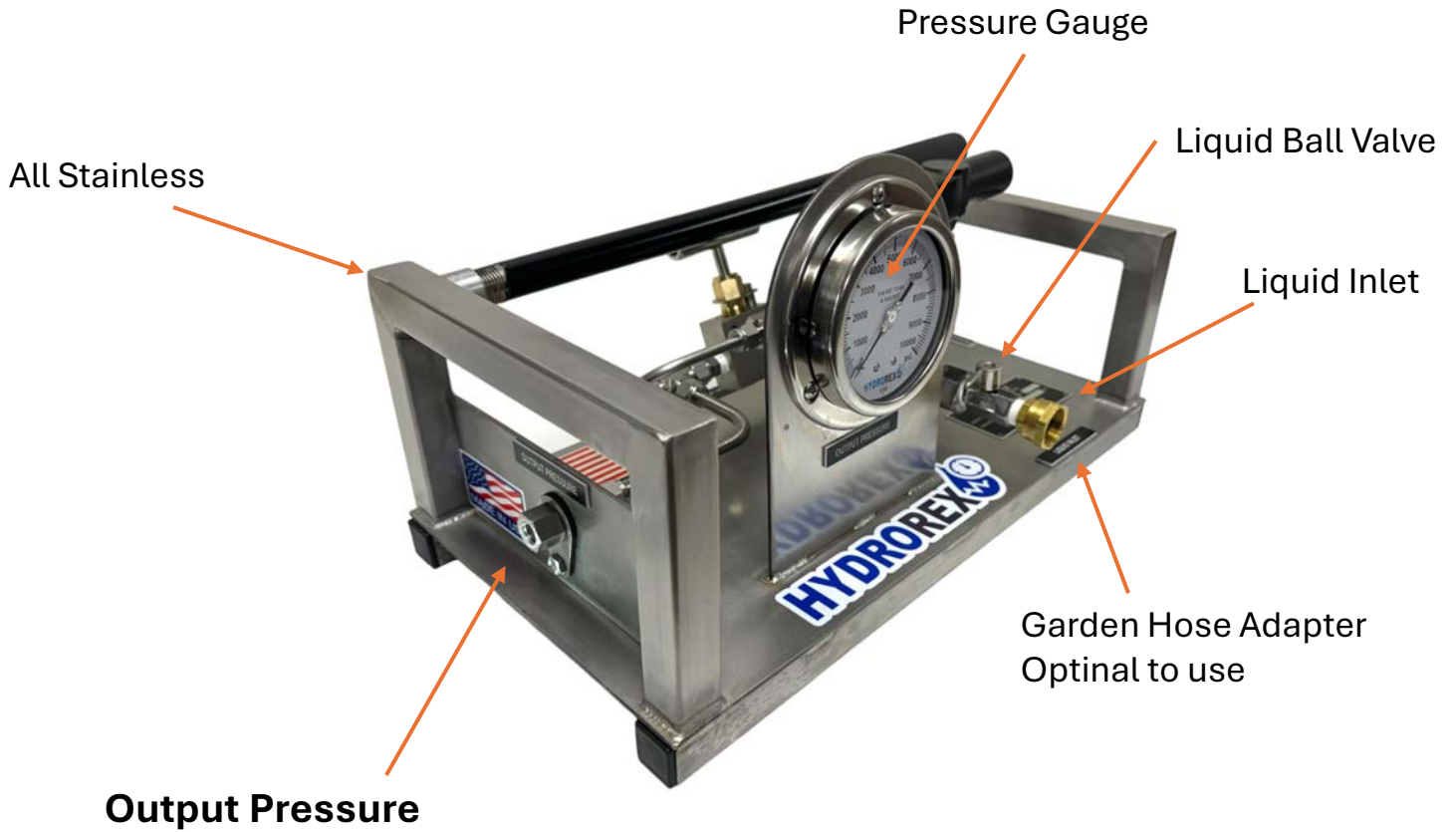


*Coned and Threaded High Pressure Connection for 3/8" O.D. Tubing

Measurements & Approximate Displacement to cu. in. – Static Conditions

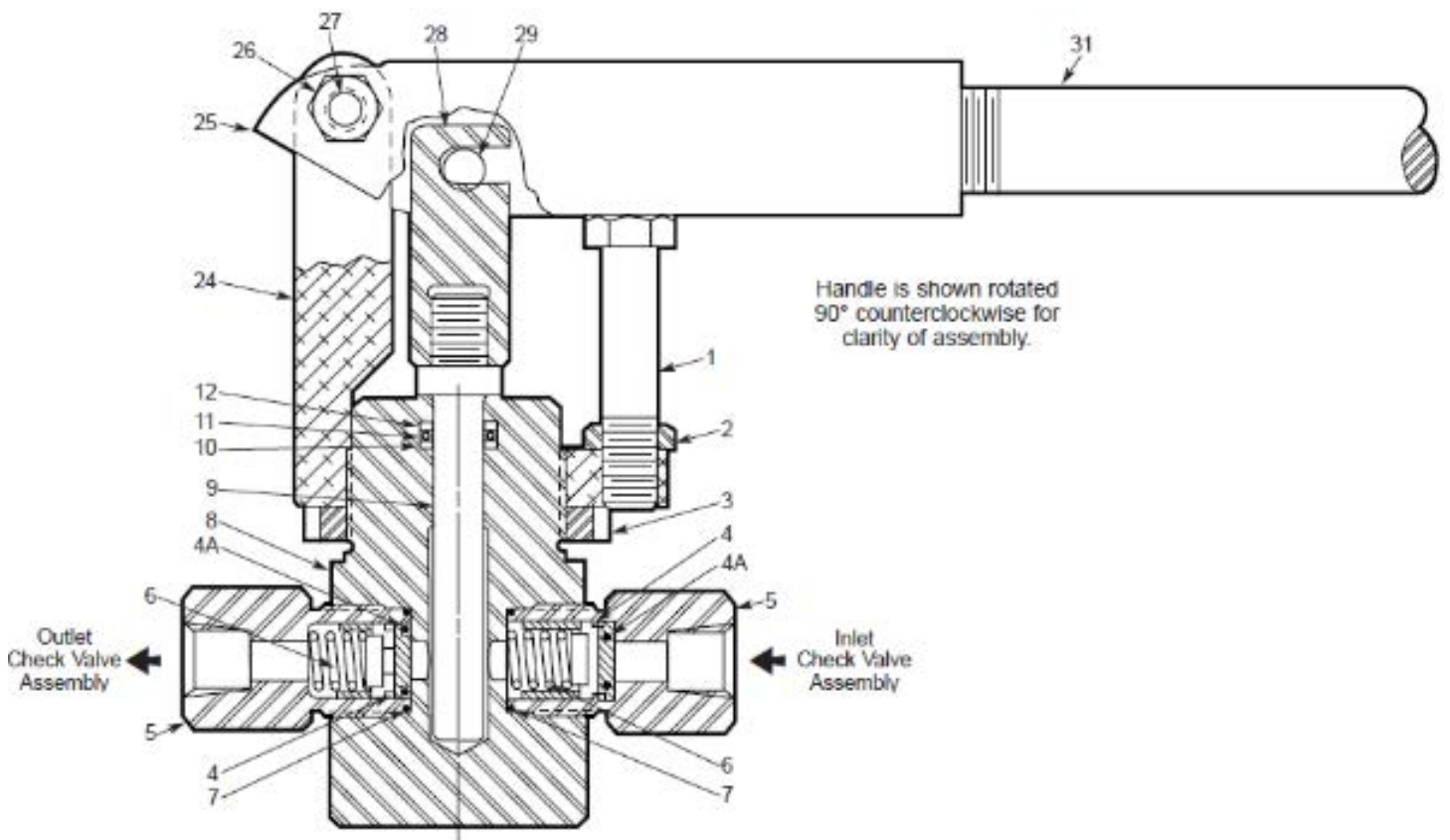
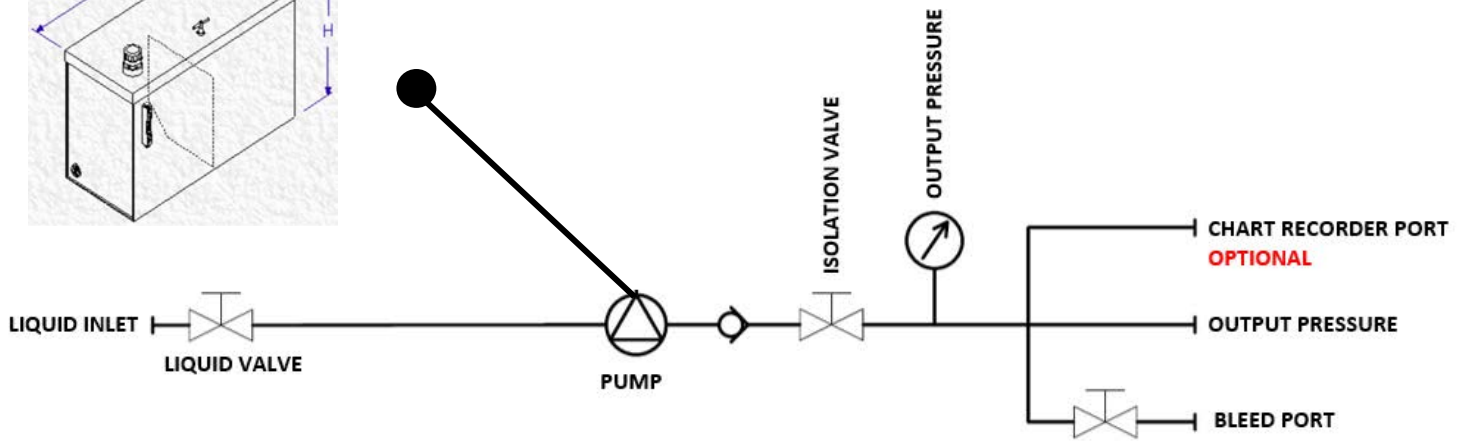
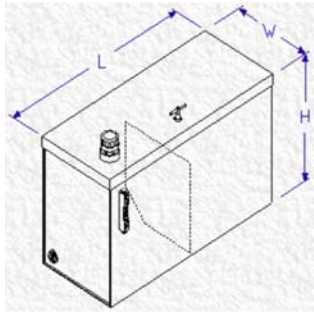
Hand Pump Model Number	Pump Output with 75 lbs. Handle Load	Liquid Inlet	Liquid Outlet	Approx. Flow Lpm	Displacement cu. in.	Ratio
HIPT-2K	2220 psi	3/8 NPT	3/8 NPT	10 lpm	.708	35 1
HIPT-3K	3020 psi	3/8 NPT	3/8 NPT	7 lpm	.527	6 1
HIPT-4K	4350 psi	3/8 NPT	3/8 NPT	6 lpm	.366	1 1
HIPT- K	00 psi	1/4 NPT	1/4 NPT	4 lpm	.205	15 1
HIPT-12K	12000 psi	1/4 NPT	1/4 NPT	3 lpm	.132	1
HIPT-17K	17400 psi	1/4 NPT	3/8 MP (9/16-18)	2 lpm	.092	3 1

HIP / T Series HAND HYDROSTATIC TEST PUMP



HIP Series

3 Gallons (12 Liters) Stainless Liquid Reservoir - **Optional**



LIMITED WARRANTY



6 MONTHS

HYDROREX LLC manufactured products are warranted free of original defects in material and workmanship for a period of one 6 months from date of purchase to first user. This warranty does not include packing, seals or failures caused by lack of proper maintenance, incompatible fluids, foreign materials in the air media, in the fluid media or application of pressures beyond catalog ratings. Products believed to be originally defective may be returned, freight prepaid, for repair and/or replacement to the distributor, authorized service representative or to the factory. If upon inspection by the factory or authorized service representative and the problem is found to be originally defective material or workmanship, repair or replacement will be made at no charge for labor and materials, F.O.B. the point of repair or replacement. Permission to return under warranty should be requested prior to shipment. A Return Material Authorization Number (RMA), the original purchase date, purchase order number, serial number, model number, reason for return or other pertinent data to establish warranty claim must be included in the documentation to expedite the return or replacement to the owner.

If the unit has been disassembled, misused, or altered without prior written authorization, warranty is void. If it has been improperly reassembled or substitute parts have been used in place of factory manufactured parts, warranty is void.

Any modification to any HYDROREX product which you have made or may make in the future will void warranty. HYDROREX disclaims any and all liability obligation, or responsibility for the modified product, and for any claims, demands or causes of action for damage or for personal injuries resulting from the modification and/or use of such a modified HYDROREX product.

HYDROREX obligation with respect to its products shall be limited to replacement, and in no event shall HYDROREX be liable for any loss or damage, consequential or special, of whatever kind or nature, or any other expense which may arise in connection with or as a result of such products or the use or incorporation thereof in a job. This warranty is expressly made in lieu of all other warranties of merchantability and fitness for a particular purpose. No express warranty and no implied warranties whether of merchantability or fitness for a particular purpose or otherwise, other than those expressly set forth above, shall apply to HYDROREX products.