

## TECHNICAL DATA SHEET

PRODUCT	<b>HYDROSTATIC TEST EQUIPMENT</b>
MODEL	<b>CR-251 REX</b>
SERIES	<b>SERIE CR-REX</b>
API	<b>CERTIFICATED ACCORDING TO THE API</b>



With pressure chart recorder air operated liquid system, lightweight portable, economic, safety, durable and easy to operate. Made in USA with highest quality components for low operational cost. CR-102REX equipment are available for use on a wide range of fluids including water, oil/hydraulic and other solubles. CR-102REX are used in most industries including Oil & Gas.

CR-REX Series are used in most industries including Oil & Gas for: Pressure on Pipes, Valves, Hoses, Vessels, Spools, etc.

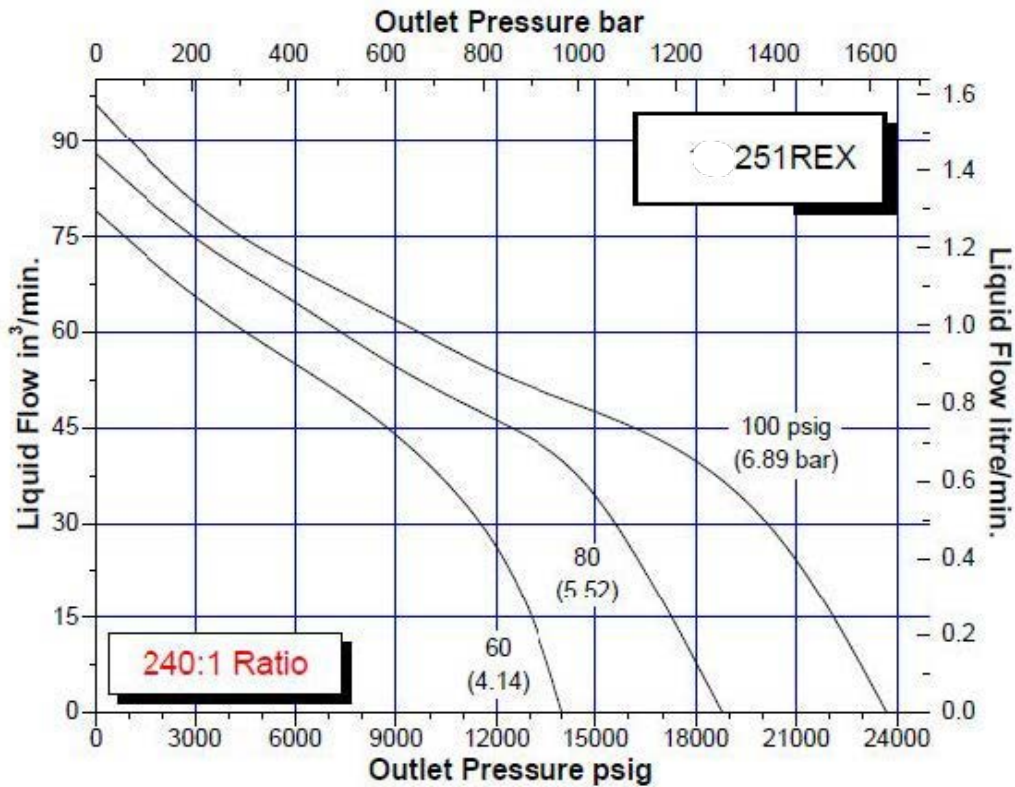
### FEATURES/BENEFITS

- Designed for easy maintenance
- Low cost servicing
- Air operated liquid pumps
- All pressure valves, tubing, fittings & hardware are stainless 316
- 12" Circular Pressure Chart Recorder
- Steel frame, Unit weight: 90 pounds - Dimensions: 22"L X 18" W 26"H
- HS Code: 8413.50.0050
- Certificated according to API specifications
- 24-56 SCFM

### PERFORMANCE DATA

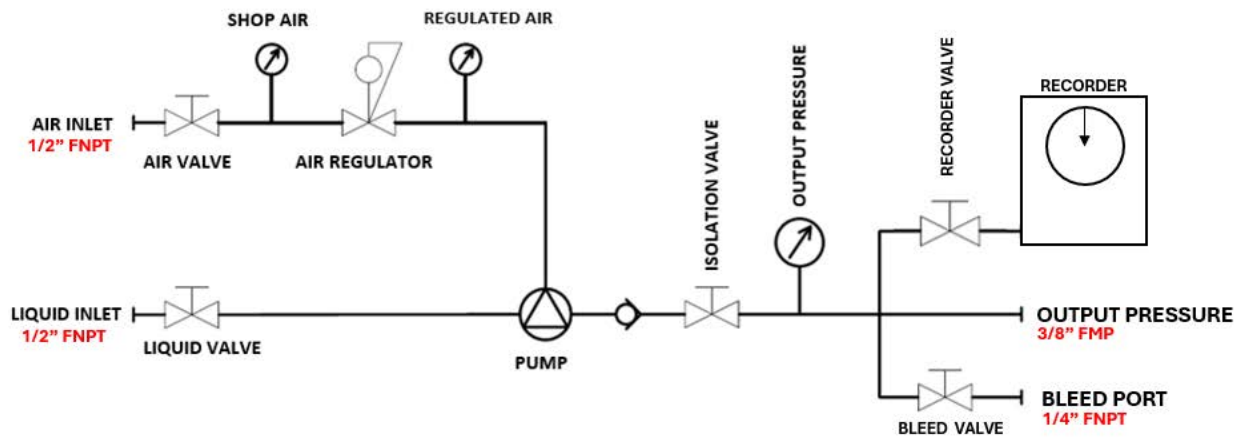
Output Flow	.27 GPM (1 LPM)
Max Output Pressure	25,000 psi (1654 bar)
Air Supply - Driven	100 Psi
Air Inlet Port	1/2" female NPT
Inlet Liquid Port	1/2" female NPT
Outlet Pressure Port	3/8" female MP
Pump Brand & Ration	SC-Hydraulic Ratio 240:1

## FLOW CURVE RATIO 240:1



### GENERAL PRODUCT INFORMATION

- When operating from 0 to rated hydraulic pressure, air consumption will be approximately **24-56 scfm** of free air at 100 psi output. At lower air pressures and higher hydraulic pressures air consumption will be reduced proportionately to flow rates indicated.
- The CR-REX Series "Dry Lube" pump does not require an air line lubricator.
- Contact Hydrorex for pressure gauges calibration / certificate.
- Maintenance parts for future repairs, all components & accessories can be found on our website [www.hydrorex.com](http://www.hydrorex.com)



# Quartz-USA / Chart Recorders Pressure & Temperature

HYDROREX Barton style chart recorders are the industry standard for accurate, reliable measurement and recording of pressure, differential pressure and temperature in a variety of applications

- Suitable for use on all hydro & industrial pressures.

## Common Components

- **Case** - The case is made of rugged, lightweight die-cast aluminum that features a built-in rainshield. It is finished in polyurethane electrostatic powder paint that has a high resistance to weathering, scratches, and industrial fumes.
- **Recording Mechanism** - All parts are stainless steel for long life. The pen mount is exceptionally rugged and pen shafts are fitted with ball pivots to
- **Pressure Elements** - Are precision wound helical-type available pressure ranges up to 30,000 psi (up to 2068 bar).
- **Thermal Systems** - The systems consist of a bourdon tube, a capillary with stainless steel armor and a bulb with a bendable extension. All parts are stainless steel. Temperature ranges for each design are listed below. A thermal system must have a span of more than 50° F (27° C) and the high temperature limit must be greater than 95° F (35° C).  
Standard (fully compensated)  
-40° F to 600° F (-40° C to 315° C)



## Mechanical Chart Recorders

Is a 12" chart recorder designed to measure flow, static pressure and temperature in all industrial pressure and ambient temperatures applications.

Is available in 1 to 2 or 3 pens configurations. The additional pens can be used to record temperature and supplemental pressure data.

Pressure Chart Recorder Range:

# 0-30000 PSI (2068 BAR)

Static pressure measurements are provided by precision wound K-monel helical-type elements.

## Main Components

