

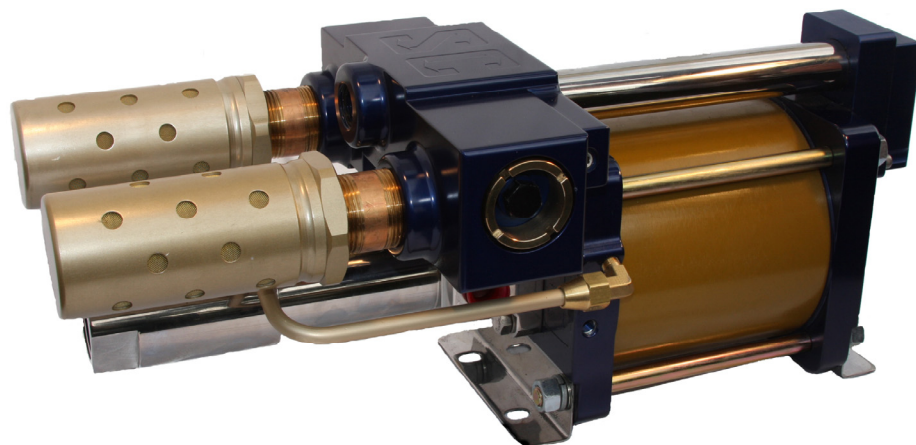


Designer and Manufacturer of Hydraulic and Pneumatic Equipment

SC HYDRAULIC ENGINEERING CORPORATION

L6 & L7 SERIES AIR OPERATED LIQUID PUMP

**P
U
M
P
S**



L6 SERIES

High Flow Liquid Pump

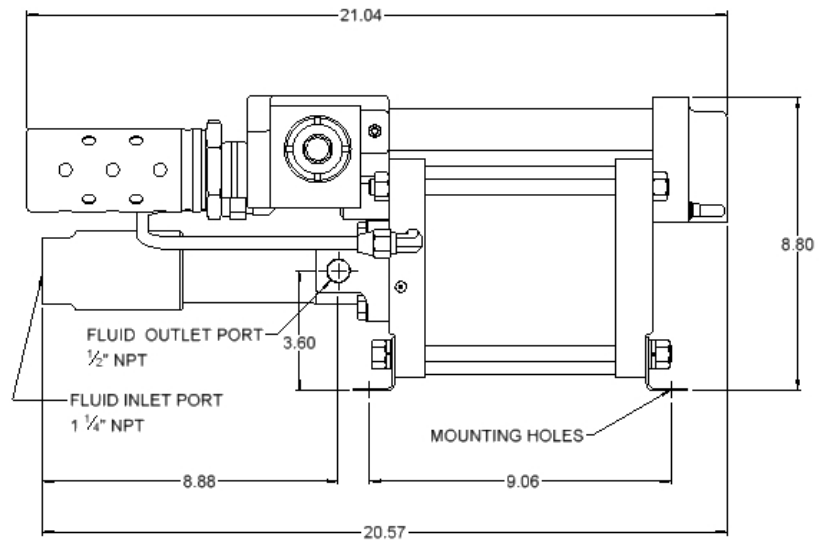
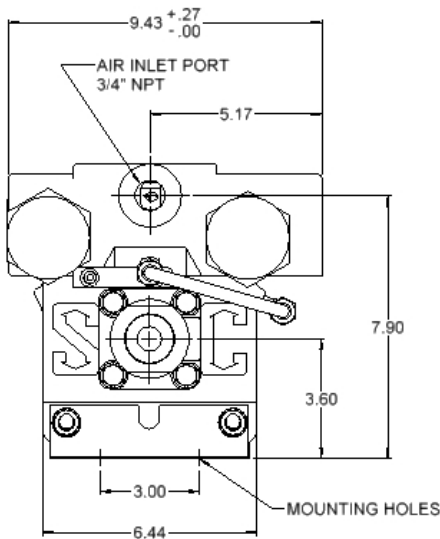
The SC L6 Series pump has a 6" diameter drive section and stainless steel wetted parts in the hydraulic section. This double acting high flow pump is capable of hydraulic pressures up to 11,200-psi and is available in three pressure ratios: 40:1, 60:1 and 100:1.

It is designed to operate with air drive pressures between 15-psi and 100-psi. Air consumption under normal operating conditions ranges from 50-SCFM to 160-SCFM depending on outlet pressure required. It is dimensionally interchangeable with competitive model pumps.

Typical applications include choke control operation, hydrostatic testing and press applications.

APPLICATIONS

- **Sub-sea valve actuation.**
- **Safety shut down valves.**
- **Wireline control systems.**
- **Blowout preventer control systems.**
- **Bolt tensioning.**
- **Pressure testing.**



Mounting Dimensions in Inches

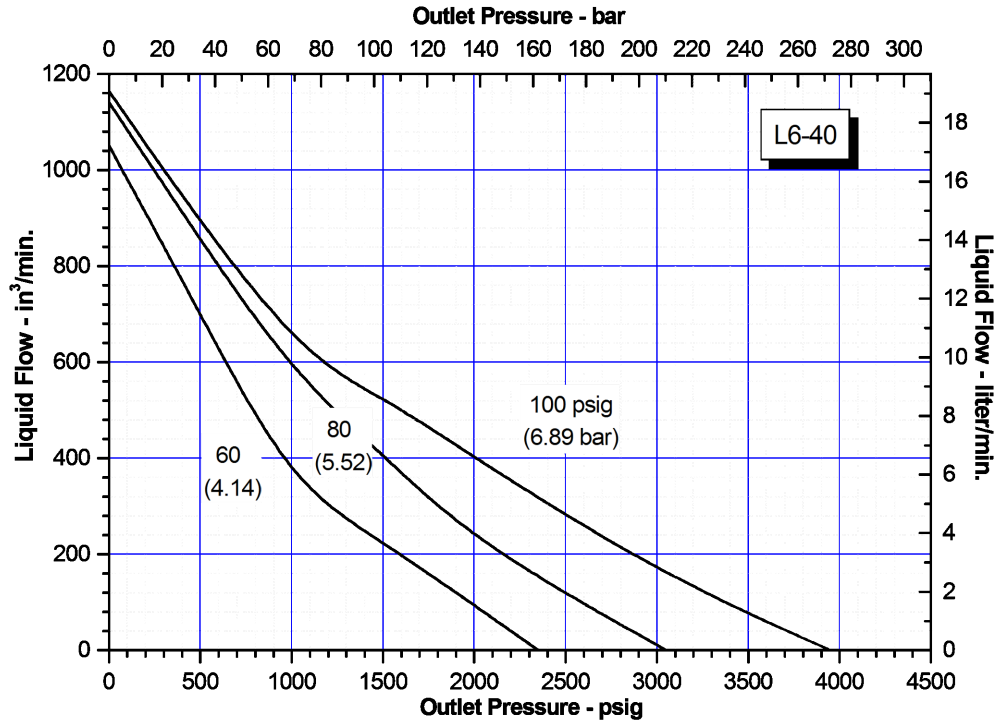
Dash Number	Actual Area Ratio	Max. Outlet Pressure (100 psig Air Supply)	Displacement Per Cycle Cu. In.	Connection Ports NPT	
				A Inlet	B Outlet
-40	40:1	3,950	6.0	1 1/4"	1/2"
-60	69:1	6,420	3.5	1 1/4"	1/2"
-100	115:1	11,200	2.1	1 1/4"	1/2"

All pumps are recommended for intermittent duty.

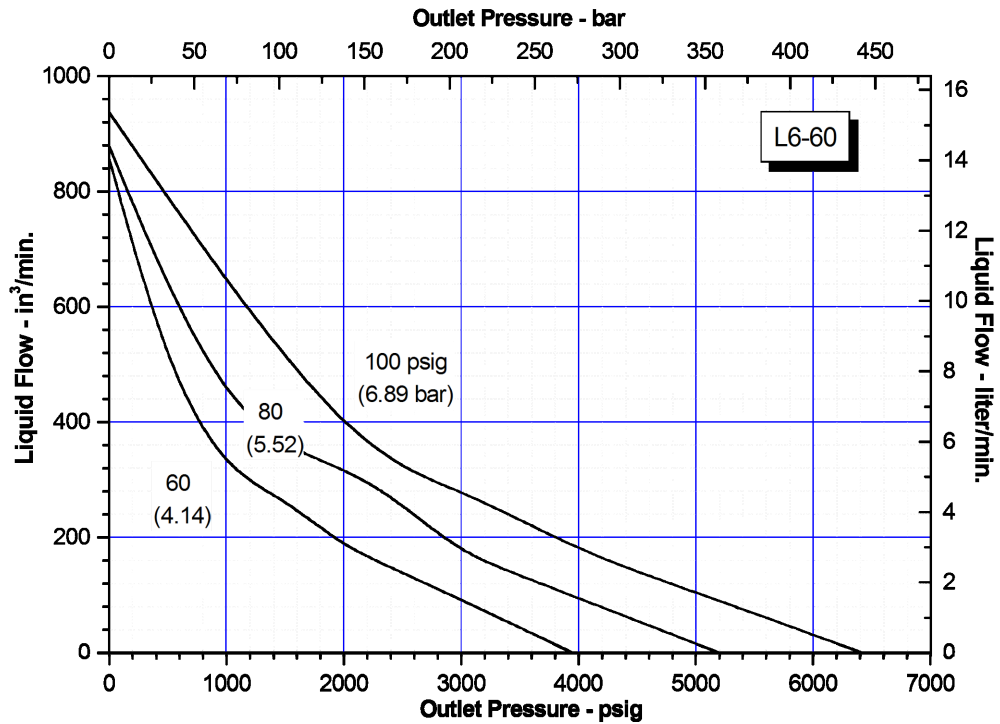
L6 SERIES

High Flow Liquid Pump

L6-40



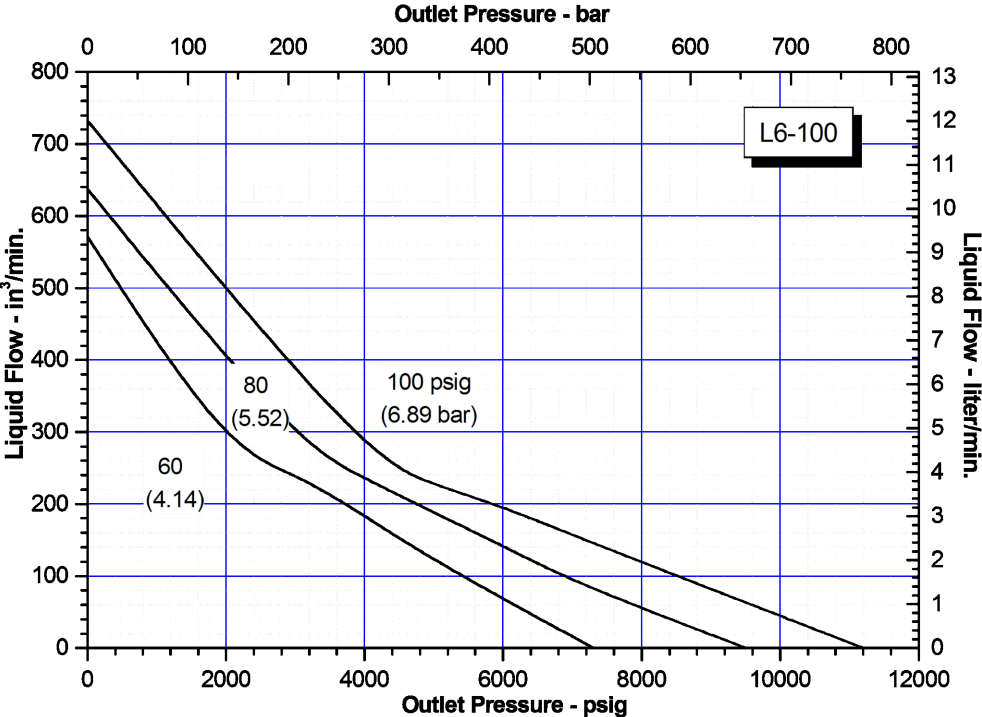
L6-60



L6 SERIES

High Flow Liquid Pump

L6-100



L7 SERIES

High Flow Liquid Pump

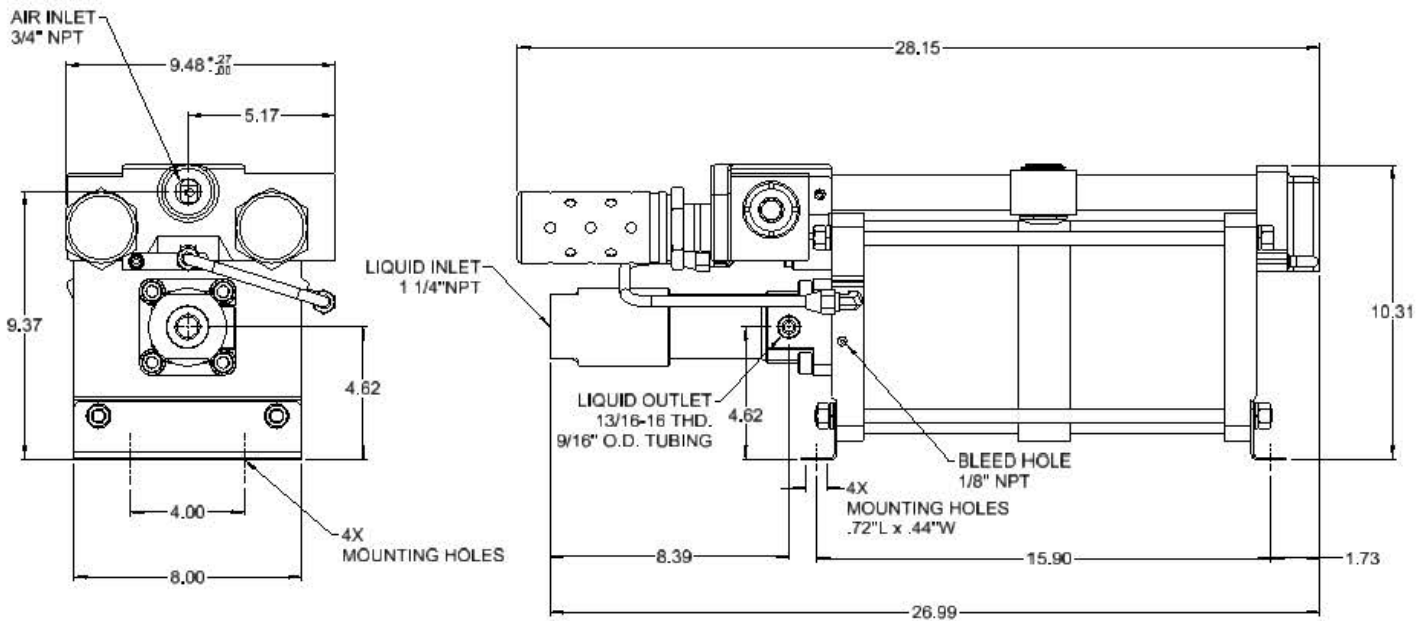
The SC L7 Series pump has a 7" diameter drive section and stainless steel wetted parts in the hydraulic section. This double air motor and double acting high flow pump is capable of hydraulic pressures up to 21,500-psi.

It is designed to operate with air drive pressures between 15-psi and 100-psi. Air consumption under normal operating conditions ranges from 150-SCFM to 225-SCFM depending on outlet pressure required.

Typical applications include choke control operation, hydrostatic testing and press applications.

APPLICATIONS

- **Sub-sea valve actuation.**
- **Safety shut down valves.**
- **Wireline control systems.**
- **Blowout preventer control systems.**
- **Bolt tensioning.**
- **Pressure testing.**



Mounting Dimensions in Inches

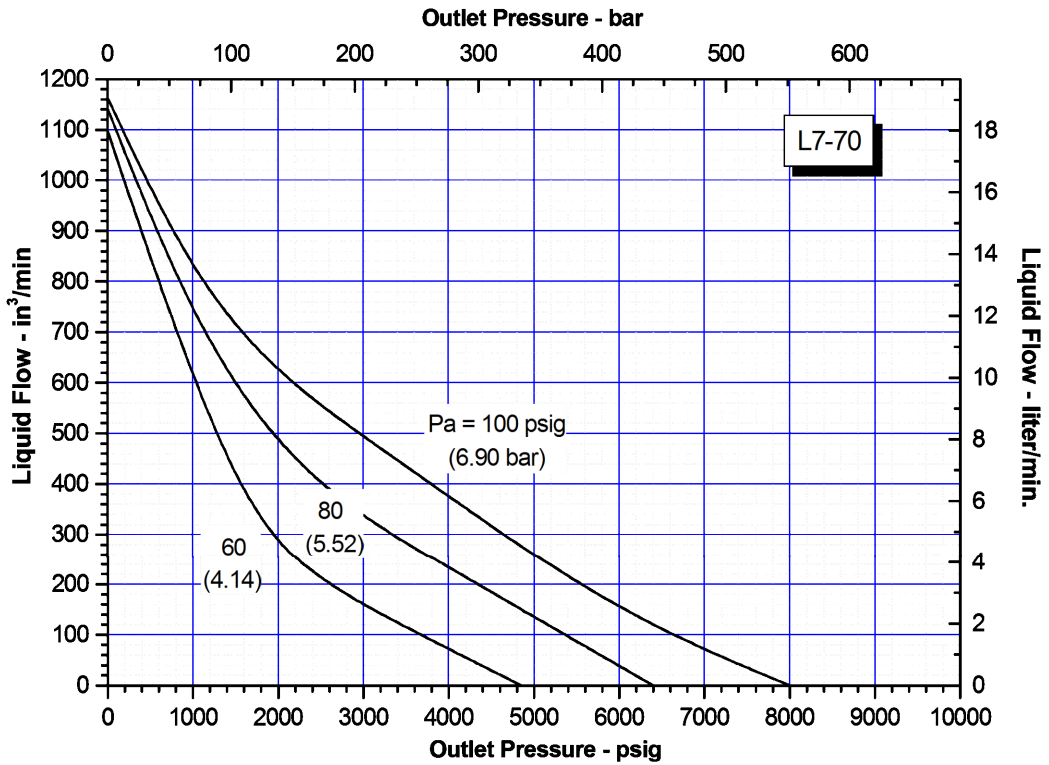
Dash Number	Actual Area Ratio	Max. Outlet Pressure (100 psig Air Supply)	Displacement Per Cycle Cu. In.	Connection Ports	
				Inlet	Outlet
-70	85:1	8,000	7.8	1 1/4" NPT	1/2" NPT
-120	135:1	13,000	4.7	1 1/4" NPT	13/16-16*
-200	227:1	21,500	2.8	1 1/4" NPT	13/16-16*

All pumps are recommended for intermittent duty.
* Coned and threaded connection for 9/16" O.D. tube.

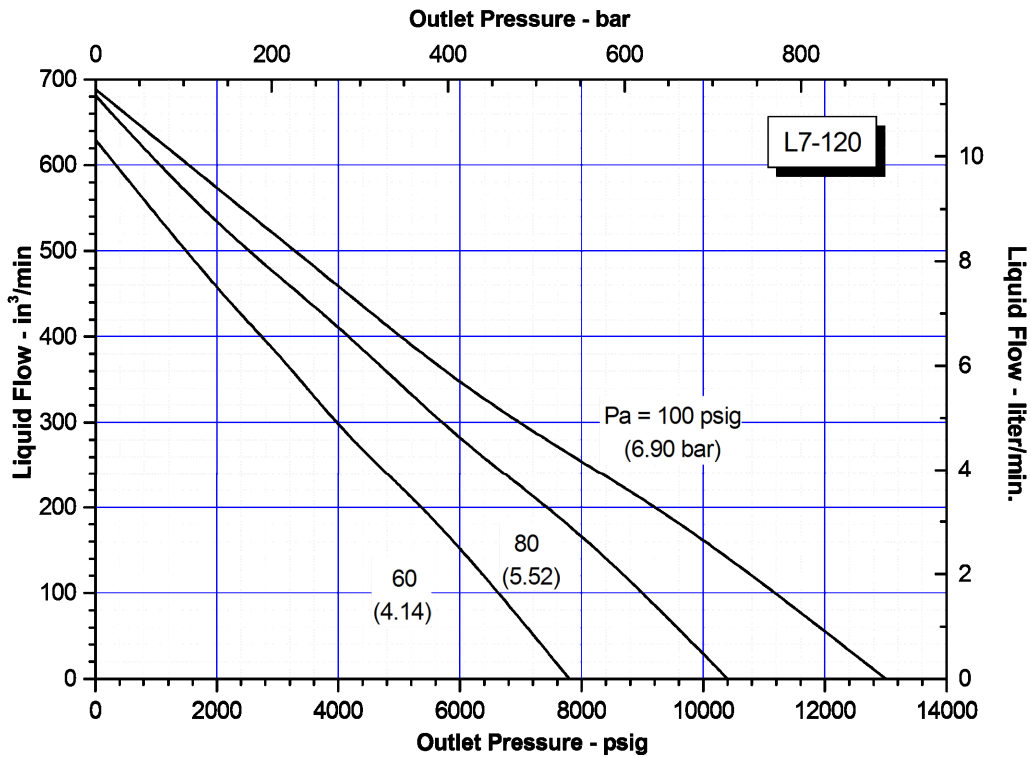
L7 SERIES

High Flow Liquid Pump

L7-70



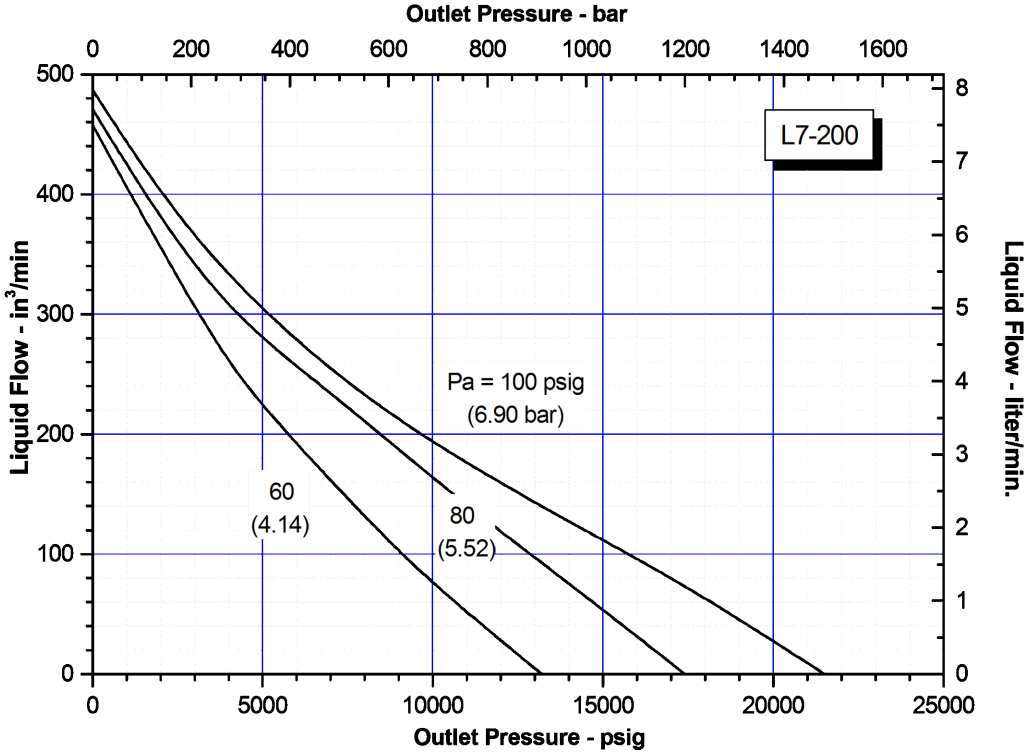
L7-120



L7 SERIES

High Flow Liquid Pump

L7-200



LIMITED WARRANTY

SC manufactured products are warranted free of original defects in material and workmanship for a period of one year from date of purchase to first user. This warranty does not include packing, seals or failures caused by lack of proper maintenance, incompatible fluids, foreign materials in the air media, in the fluid media or application of pressures beyond catalog ratings. Products believed to be originally defective may be returned, freight prepaid, for repair and/or replacement to the distributor, authorized service representative or to the factory. If upon inspection by the factory or authorized service representative and the problem is found to be originally defective material or workmanship, repair or replacement will be made at no charge for labor and materials, F.O.B. the point of repair or replacement. Permission to return under warranty should be requested prior to shipment. A Return Material Authorization Number (RMA), the original purchase date, purchase order number, serial number, model number, reason for return or other pertinent data to establish warranty claim must be included in the documentation to expedite the return or replacement to the owner.

If the unit has been disassembled, misused, or altered without prior **written** authorization, warranty is void. If it has been improperly reassembled or substitute parts have been used in place of factory manufactured parts, warranty is void.

Any modification to any SC product which you have made or may make in the future will void warranty. SC disclaims any and all liability obligation, or responsibility for the modified product, and for any claims, demands or causes of action for damage or for personal injuries resulting from the modification and/or use of such a modified SC product.

SC's obligation with respect to its products shall be limited to replacement, and in no event shall SC be liable for any loss or damage, consequential or special, of whatever kind or nature, or any other expense which may arise in connection with or as a result of such products or the use or incorporation thereof in a job. This warranty is expressly made in lieu of all other warranties of merchantability and fitness for a particular purpose. No express warranty and no implied warranties whether of merchantability or fitness for a particular purpose or otherwise, other than those expressly set forth above, shall apply to SC products.